

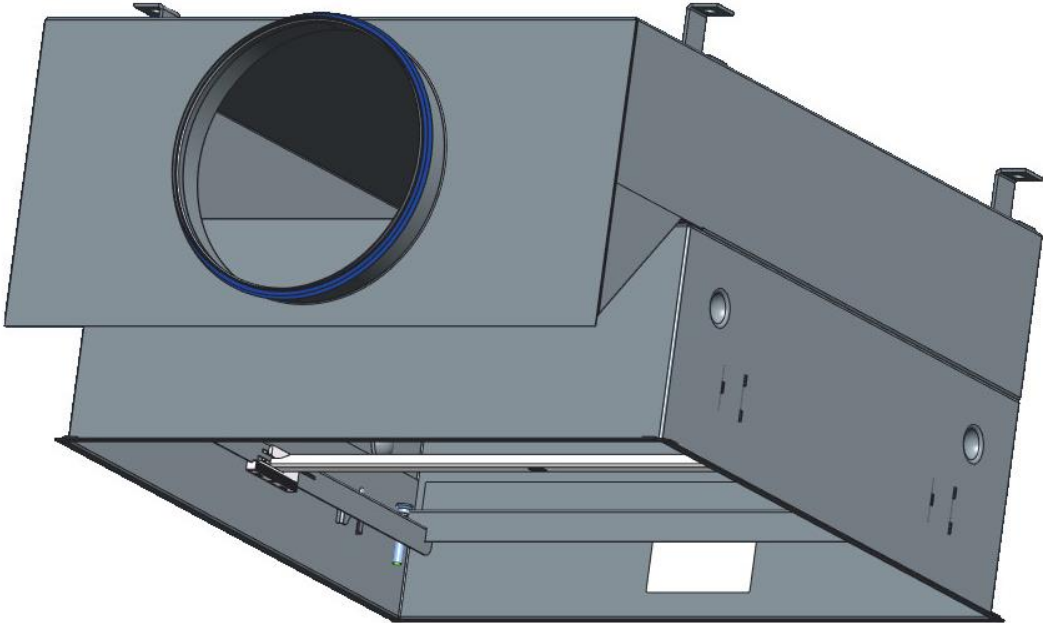


# TROX<sup>®</sup> TECHNIK

The art of handling air

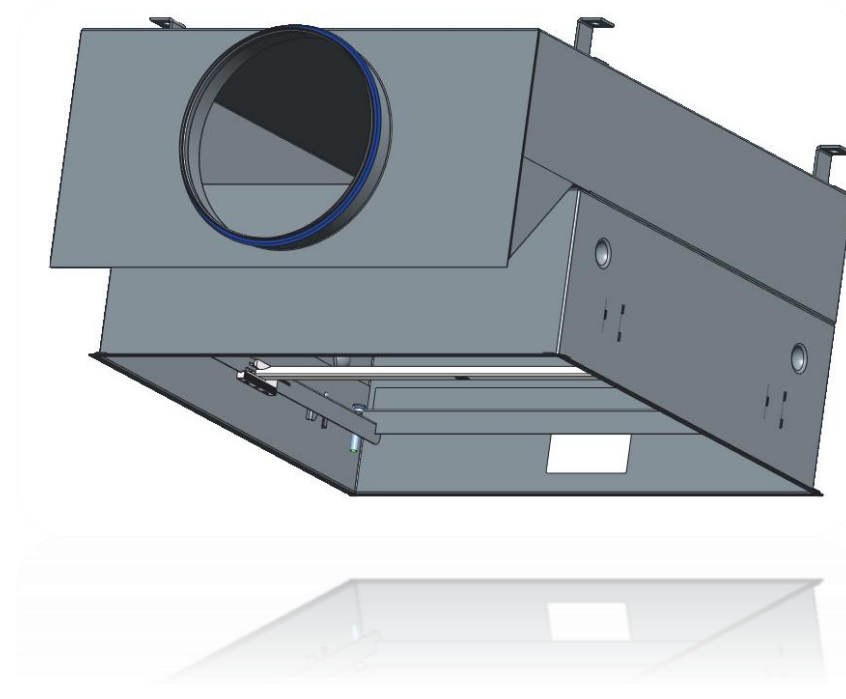
TFC

**Product launch Q4 /22**

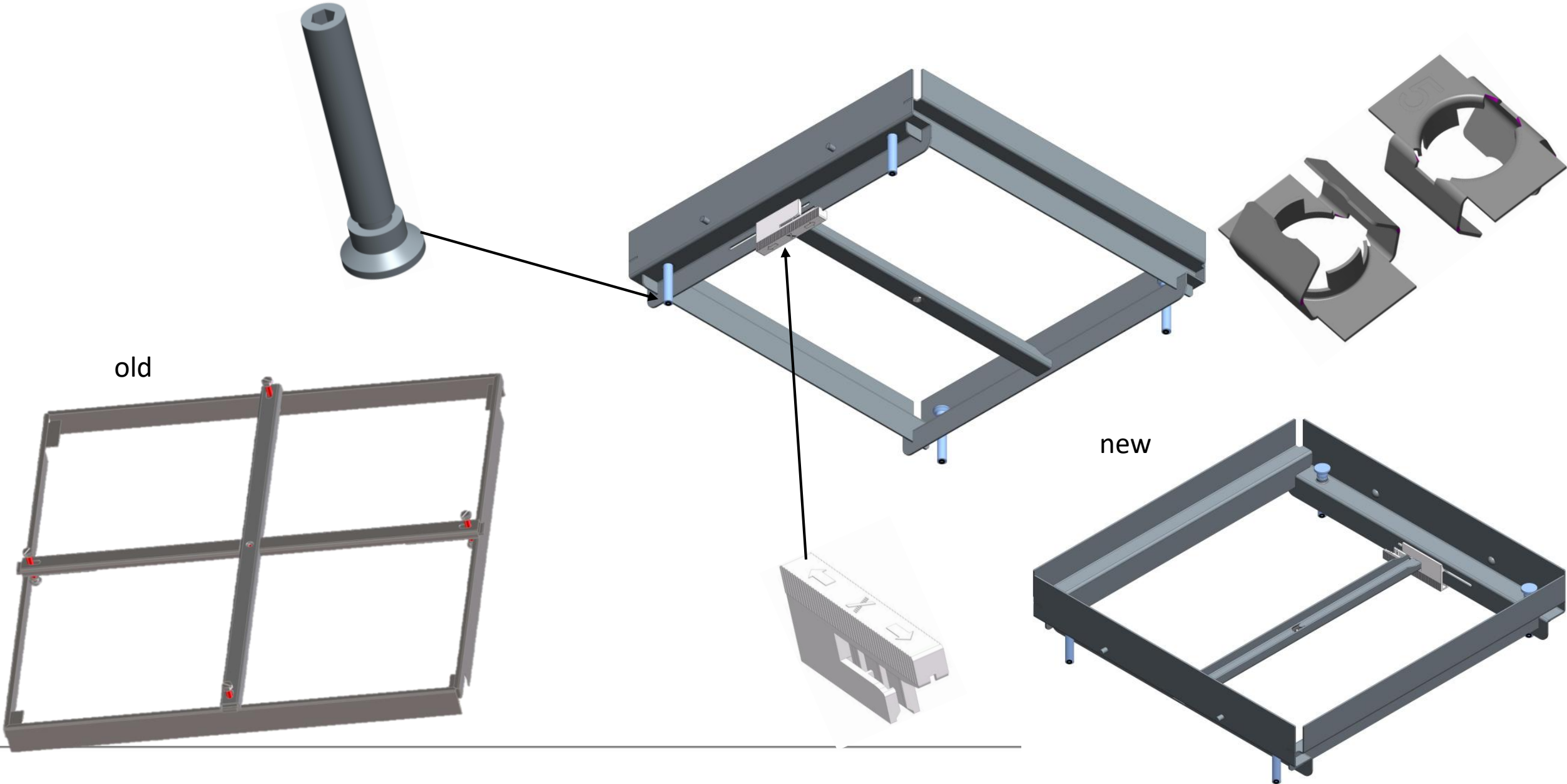


### Customer-oriented basic changes:

- Introduction of new product variants and introduction of nominal size 825
- Introduction of housing with flat contact pressure for filter plates with foamed endless seal
- Front outlet assembly extended and optimised
- Patented filter fixing frame with removable crossbar
- Aerosol feed unit included as an option in the order code
- Option with recessed connection spigot standardised
- Internal measuring tube optimised
- Filter selection enlarged
- New Order code

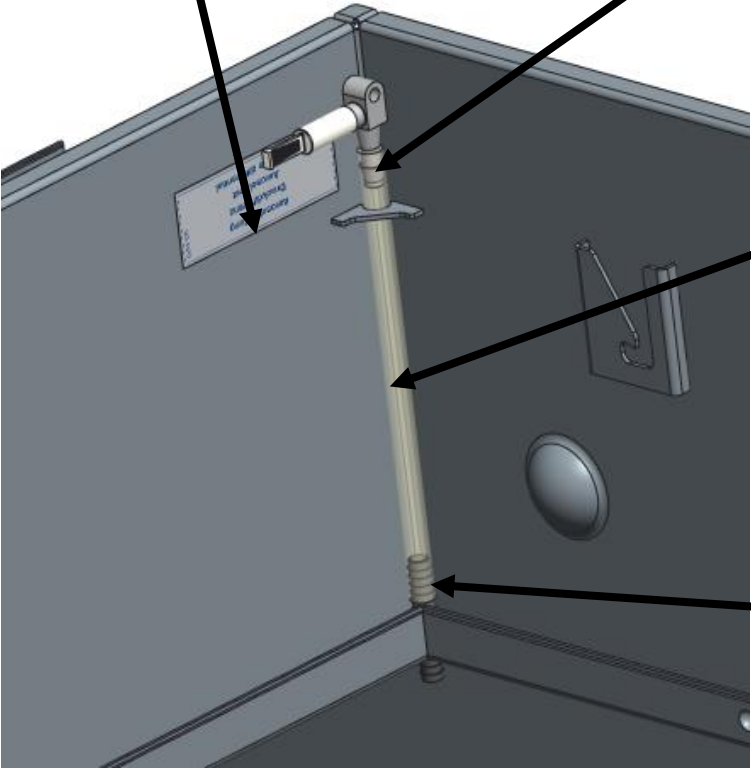
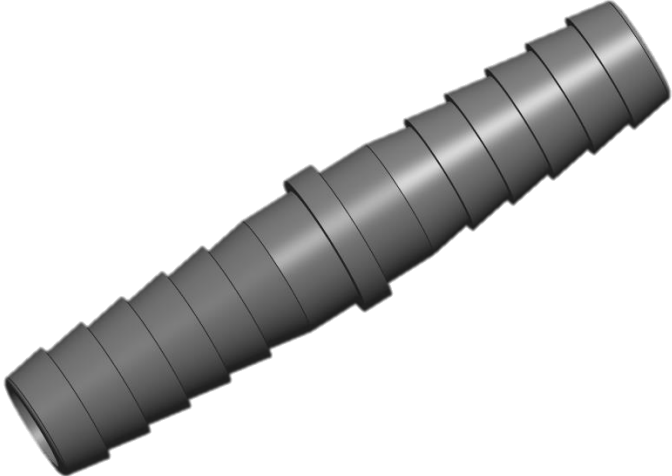
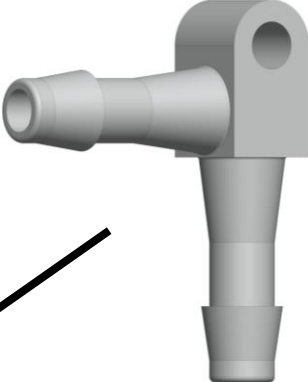


# TFC Clamping frame





# TFC internal measuring tube



## Order code

TFC – SC – SPC – VDW / 600 × 24 × 248 × 344 / M / 2 / S / F  
 1 2 3 4 5 6 7 8 9 10 11

<b>1 Type</b>	VDW
TFC Ceiling mounted particulate filters	400 × 16 500 × 24 600 × 24 625 × 24 625 × 48 680 × 24 680 × 54
<b>2 Variant</b>	
Side entry circular spigot, SC	PCD 600 625
SC00H Shut-off damper, manually adjustable	
SCTN0 Shut-off damper with pneumatic actuator	
SCBR0 Shut-off damper with electric actuator 24 – 240 V AC	
SCVFL with volume flow limiter	
TC Top entry circular spigot	
SR Side entry rectangular spigot	
<b>3 Casing material</b>	AIRNAMIC 600 625
SPC Steel, powder-coated, RAL 9010, pure white	
STA Stainless steel	
<b>4 Air terminal device</b>	<b>6 Spigot diameter [mm]</b> D
No entry required: None	
ADLQ	
DLQ	
FD	
TDF	
fdf	
DLQLF	
DLQL	
VDW	
PCD	
AIRNAMIC	
<b>5 Nominal size [mm]</b>	<b>7 Casing height [mm]</b> G1
ADLQ, DLQ, FD, TDF, FDF, DLQLF, DLQL	
400	
500	
600	
625	
680	
	<b>8 Damper unit</b>
	No entry required: None
	M Damper unit for volume flow rate balancing (only for TFC-SC-SPC and TFC-TC-SPC)
	<b>9 Fixing points</b>
	2 Installation subframe with 2 fixing points
	4 Installation subframe with 4 fixing points (not for SC00H)
	<b>10 Suspension/measurement points</b>
	T Top arrangement
	S Side arrangement
	<b>11 Flange width [mm]</b>
	No entry required: Standard
	F 10 – 55 mm

old

## Order code

TFC – SC – CF – SPC – CC – ID – VDWF / 600 × 24 – 248 – 20 / T  
 1 2 3 4 5 6 7 8 9 10 11

<b>1 Type</b>	8 Nominal size [mm]	9 Spigot [mm]
TFC Ceiling mounted particulate filter	Without diffuser 400, 500, 600, 625, 680, 825	D Diameter B × H Width × height (only with SR)
<b>2 Variant</b>	<u>External diffuser (ED)</u> ADLQ, DLQ, DLQL, FD, TDF 400, 500, 600, 625, 680	<b>10 Flange width [mm]</b> 0 Airnamic 10 – 55
SC Side entry circular spigot		
SCH SC with manually adjustable shut-off damper		
SCE SC with electrical shut-off damper (24 – 240 V AC)		
SCM SC with damper blade for volume flow rate balancing		
SCV SC with volume flow limiter		
SCD SC with recessed spigot		
SCA SC with aerosol feed	AIRNAMIC, PCD 600, 625	
TC Top entry circular spigot		
TCM TC with damper blade for volume flow rate balancing		
TCA TC with aerosol feed		
SR Side entry rectangular spigot	LF 400, 500, 600, 625, 680, 825	<b>11 Suspension/measurement points</b> T Suspension and measurement points at the top S Side suspension and measurement points FC False ceiling installation, measurement points at the top
<b>3 Filter fitting and construction</b>	VDWF × 16 400 × 16	
Without sealing integrity test groove		
G Filter with gel seal (frame depths 91 – 105 mm)		
CF Filter with continuous seal and flat seal (frame depths 78 – 90 mm)	VDWF × 24 500 × 24, 600 × 24, 625 × 24, 680 × 24	
CFL Filter with continuous seal and flat seal (frame depth 150 mm) (only for SC, SCM, SCA, TC, TCM, TCA, SR)		
With test groove	VDWF × 48 625 × 48	
FT Filter with flat seal (frame depth 78 mm)		
FTL Filter with flat seal (frame depth 150 mm) (only for SC, SCM, SCA, TC, TCM, TCA, SR)	VDWF × 54 680 × 54	
<b>4 Casing material</b>	VDWF × 72 825 × 72	
SPC Steel, powder-coated, RAL 9010 (pure white)		
STA Stainless steel (only for SC, TC, SR)		
<b>5 Type of ceiling</b>	<u>Internal diffuser (ID)</u> LF, FD, TDF 400, 500, 600, 625, 680	
No entry: standard		
CC Clip-in tile ceiling		
<b>6 Position of air terminal device</b>	VDWF × 16 400 × 16	
ED External		
ID Internal (not for nominal size 250)		
<b>7 Air terminal device</b>	VDWF × 24 500 × 24, 600 × 24, 625 × 24, 680 × 24	
No entry: none		
<u>Steel, powder-coated (SPC)</u>	VDWF × 48 625 × 48	
External diffuser (ED)		
ADLQ, DLQ, DLQL, LF, FD, TDF, VDWF, PCD, AIRNAMIC	VDWF × 54 680 × 54	
<u>Internal diffuser (ID)</u>		
LF, FD, TDF, VDWF		
<u>Stainless steel (STA)</u>		
Internal or external diffuser (ID, ED)		
LF, VDWF		

new

## Order code

TFC – SC – CF – SPC – CC – ID – VDWF / 600 × 24 – 248 – 20 / T  
 | | | | | | | | | | |  
 1 2 3 4 5 6 7 8 9 10 11

### 1 Type

TFC Ceiling mounted particulate filter

### 2 Variant

SC Side entry circular spigot  
 SCH SC with manually adjustable shut-off damper  
 SCE SC with electrical shut-off damper (24 – 240 V AC)  
 SCM SC with damper blade for volume flow rate balancing  
 SCV SC with volume flow limiter  
 SCD SC with recessed spigot  
 SCA SC with aerosol feed  
 TC Top entry circular spigot  
 TCM TC with damper blade for volume flow rate balancing  
 TCA TC with aerosol feed  
 SR Side entry rectangular spigot

### 3 Filter fitting and construction

Without sealing integrity test groove  
 G Filter with gel seal (frame depths 91 – 105 mm)  
 CF Filter with continuous seal and flat seal (frame depths 78 – 90 mm)  
 CFL Filter with continuous seal and flat seal (frame depth 150 mm) (only for SC, SCM, SCA, TC, TCM, TCA, SR)

### With test groove

FT Filter with flat seal (frame depth 78 mm)  
 FTL Filter with flat seal (frame depth 150 mm) (only for SC, SCM, SCA, TC, TCM, TCA, SR)

### 4 Casing material

SPC Steel, powder-coated, RAL 9010 (pure white)  
 STA Stainless steel (only for SC, TC, SR)

### 5 Type of ceiling

No entry: standard  
 CC Clip-in tile ceiling

### 6 Position of air terminal device

ED External  
 ID Internal (not for nominal size 250)

### 7 Air terminal device

No entry: none

### Steel, powder-coated (SPC)

External diffuser (ED)  
**ADLQ, DLQ, DLQL, LF, FD, TDF, VDWF, PCD, AIRNAMIC**

### Internal diffuser (ID)

**LF, FD, TDF, VDWF**

### Stainless steel (STA)

Internal or external diffuser (ID, ED)

**LF, VDWF**

### 8 Nominal size [mm]

Without diffuser  
 400, 500, 600, 625, 680, 825

External diffuser (ED)  
 ADLQ, DLQ, DLQL, FD, TDF  
 400, 500, 600, 625, 680

AIRNAMIC, PCD  
 600, 625

LF  
 400, 500, 600, 625, 680, 825

VDWF × 16  
 400 × 16

VDWF × 24  
 500 × 24, 600 × 24, 625 × 24, 680 × 24

VDWF × 48  
 625 × 48

VDWF × 54  
 680 × 54

VDWF × 72  
 825 × 72

Internal diffuser (ID)  
 LF, FD, TDF  
 400, 500, 600, 625, 680

VDWF × 16  
 400 × 16

VDWF × 24  
 500 × 24, 600 × 24, 625 × 24, 680 × 24

VDWF × 48  
 625 × 48

VDWF × 54  
 680 × 54

### 9 Spigot [mm]

D Diameter  
 B × H Width × height (only with SR)

### 10 Flange width [mm]

0 Airamic  
 10 – 55

### 11 Suspension/measurement points

T Suspension and measurement points at the top  
 S Side suspension and measurement points  
 FC False ceiling installation, measurement points at the top



## Order code

TFC – SC – CF – SPC – CC – ID – VDWF / 600 × 24 – 248 – 20 / T  
 | | | | | | | | | | | |  
 1 2 3 4 5 6 7 8 9 10 11

**1 Type**  
TFC Ceiling mounted particulate filter

### 2 Variant

SC Side entry circular spigot  
 SCH SC with manually adjustable shut-off damper  
 SCE SC with electrical shut-off damper (24 – 240 V AC)  
 SCM SC with damper blade for volume flow rate balancing  
 SCV SC with volume flow limiter  
 SCD SC with recessed spigot  
 SCA SC with aerosol feed  
 TC Top entry circular spigot  
 TCM TC with damper blade for volume flow rate balancing  
 TCA TC with aerosol feed  
 SR Side entry rectangular spigot

### 3 Filter fitting and construction

Without sealing integrity test groove  
 G Filter with gel seal (frame depths 91 – 105 mm)  
 CF Filter with continuous seal and flat seal (frame depths 78 – 90 mm)  
 CFL Filter with continuous seal and flat seal (frame depth 150 mm) (only for SC, SCM, SCA, TC, TCM, TCA, SR)

### With test groove

FT Filter with flat seal (frame depth 78 mm)  
 FTL Filter with flat seal (frame depth 150 mm) (only for SC, SCM, SCA, TC, TCM, TCA, SR)

### 4 Casing material

SPC Steel, powder-coated, RAL 9010 (pure white)  
 STA Stainless steel (only for SC, TC, SR)

### 5 Type of ceiling

No entry: standard  
 CC Clip-in tile ceiling

### 6 Position of air terminal device

ED External  
 ID Internal (not for nominal size 250)

### 7 Air terminal device

No entry: none

### Steel, powder-coated (SPC)

External diffuser (ED)  
**ADLQ, DLQ, DLQL, LF, FD, TDF, VDWF, PCD, AIRNAMIC**

### Internal diffuser (ID)

**LF, FD, TDF, VDWF**

### Stainless steel (STA)

Internal or external diffuser (ID, ED)

**LF, VDWF**

### 8 Nominal size [mm]

Without diffuser  
**400, 500, 600, 625, 680, 825**

External diffuser (ED)  
 ADLQ, DLQ, DLQL, FD, TDF  
**400, 500, 600, 625, 680**

AIRNAMIC, PCD  
**600, 625**

LF  
**400, 500, 600, 625, 680, 825**

VDWF × 16  
**400 × 16**

VDWF × 24  
**500 × 24, 600 × 24, 625 × 24, 680 × 24**

VDWF × 48  
**625 × 48**

VDWF × 54  
**680 × 54**

VDWF × 72  
**825 × 72**

Internal diffuser (ID)  
 LF, FD, TDF  
**400, 500, 600, 625, 680**

VDWF × 16  
**400 × 16**

VDWF × 24  
**500 × 24, 600 × 24, 625 × 24, 680 × 24**

VDWF × 48  
**625 × 48**

VDWF × 54  
**680 × 54**

### 9 Spigot [mm]

D Diameter  
 B × H Width × height (only with SR)

### 10 Flange width [mm]

0 Airamic  
**10 – 55**

### 11 Suspension/measurement points

T Suspension and measurement points at the top  
 S Side suspension and measurement points  
 FC False ceiling installation, measurement points at the top

## Order code

TFC – SC – CF – SPC – CC – ID – VDWF / 600 × 24 – 248 – 20 / T  
 |     |     |     |     |     |     |     |     |     |     |  
 1     2     3     4     5     6     7     8     9     10   11

### 1 Type

TFC Ceiling mounted particulate filter

### 2 Variant

SC Side entry circular spigot  
 SCH SC with manually adjustable shut-off damper  
 SCE SC with electrical shut-off damper (24 – 240 V AC)  
 SCM SC with damper blade for volume flow rate balancing  
 SCV SC with volume flow limiter  
 SCD SC with recessed spigot  
 SCA SC with aerosol feed  
 TC Top entry circular spigot  
 TCM TC with damper blade for volume flow rate balancing  
 TCA TC with aerosol feed  
 SR Side entry rectangular spigot

### 3 Filter fitting and construction

Without sealing integrity test groove  
 G Filter with gel seal (frame depths 91 – 105 mm)  
 CF Filter with continuous seal and flat seal (frame depths 78 – 90 mm)  
 CFL Filter with continuous seal and flat seal (frame depth 150 mm) (only for SC, SCM, SCA, TC, TCM, TCA, SR)

### With test groove

FT Filter with flat seal (frame depth 78 mm)  
 FTL Filter with flat seal (frame depth 150 mm) (only for SC, SCM, SCA, TC, TCM, TCA, SR)

### 4 Casing material

SPC Steel, powder-coated, RAL 9010 (pure white)  
 STA Stainless steel (only for SC, TC, SR)

### 5 Type of ceiling

No entry: standard  
 CC Clip-in tile ceiling

### 6 Position of air terminal device

ED External  
 ID Internal (not for nominal size 250)

### 7 Air terminal device

No entry: none

### Steel, powder-coated (SPC)

External diffuser (ED)  
**ADLQ, DLQ, DLQL, LF, FD, TDF, VDWF, PCD, AIRNAMIC**

### Internal diffuser (ID)

**LF, FD, TDF, VDWF**

### Stainless steel (STA)

Internal or external diffuser (ID, ED)

**LF, VDWF**

### 8 Nominal size [mm]

Without diffuser  
**400, 500, 600, 625, 680, 825**

External diffuser (ED)  
 ADLQ, DLQ, DLQL, FD, TDF  
**400, 500, 600, 625, 680**

AIRNAMIC, PCD  
**600, 625**

LF  
**400, 500, 600, 625, 680, 825**

VDWF × 16  
**400 × 16**

VDWF × 24  
**500 × 24, 600 × 24, 625 × 24, 680 × 24**

VDWF × 48  
**625 × 48**

VDWF × 54  
**680 × 54**

VDWF × 72  
**825 × 72**

Internal diffuser (ID)  
 LF, FD, TDF  
**400, 500, 600, 625, 680**

VDWF × 16  
**400 × 16**

VDWF × 24  
**500 × 24, 600 × 24, 625 × 24, 680 × 24**

VDWF × 48  
**625 × 48**

VDWF × 54  
**680 × 54**

### 9 Spigot [mm]

D Diameter  
 B × H Width × height (only with SR)

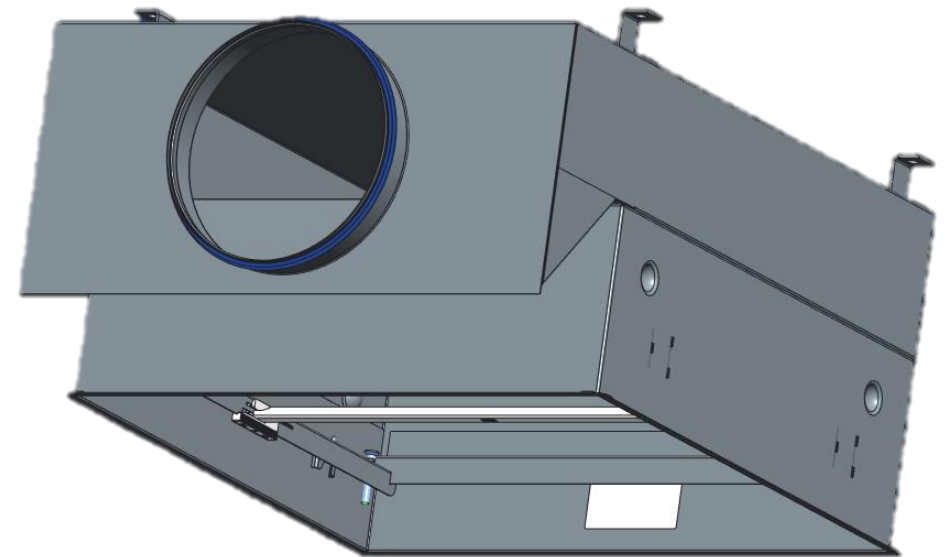
### 10 Flange width [mm]

0 Airamic  
**10 – 55**

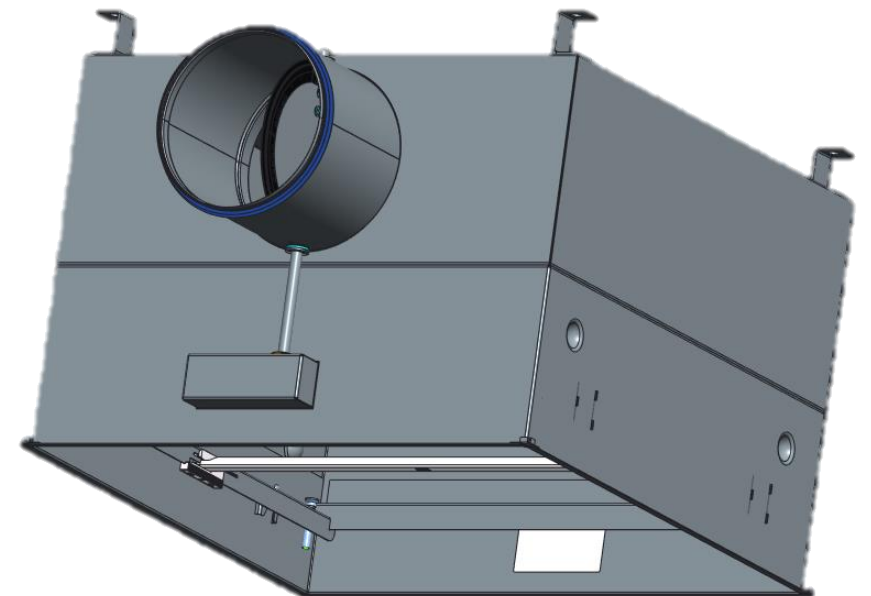
### 11 Suspension/measurement points

T Suspension and measurement points at the top  
 S Side suspension and measurement points  
 FC False ceiling installation, measurement points at the top

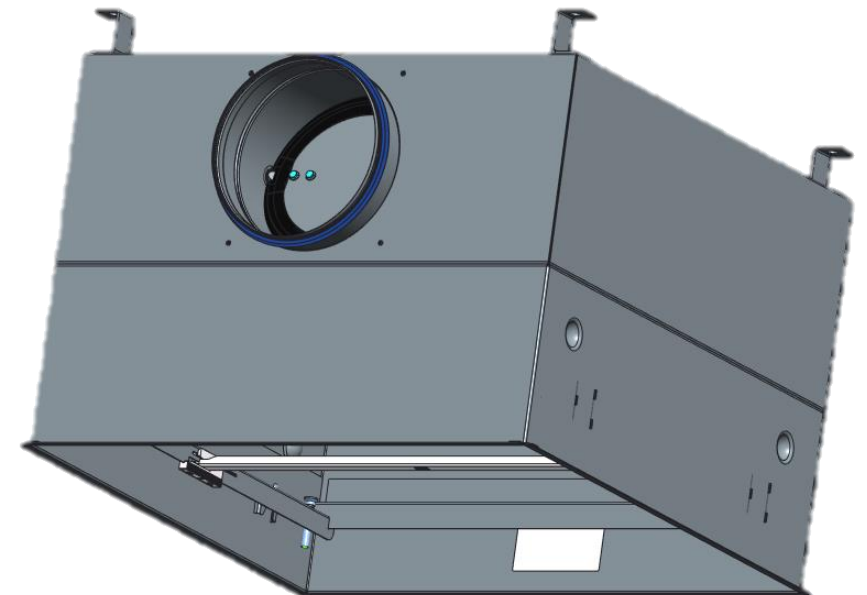
- **SC** Side entry circular spigot
- SCH Side entry circular spigot, manually adjustable shutoff damper *(old SC00H)*
- SCE Side entry circular spigot, shut-off damper with electric actuator *(old SCBR0)*
- SCM SC with Damper unit for volume flow rate balancing
- SCV Side entry circular spigot, volume flow limiter *(old SCVFL)*
- SCD SC with set-back spigot
- SCA SC with aerosol supply unit
- TC Top entry circular spigot
- TCM SC with Damper unit for volume flow rate balancing
- TCA TC with aerosol injection tube
- SR Side entry rectangular spigot



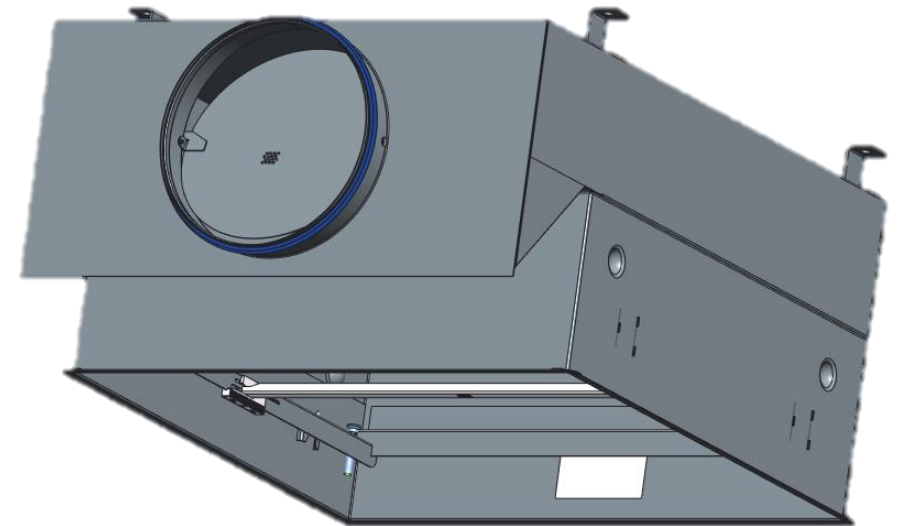
- SC Side entry circular spigot
- **SCH Side entry circular spigot, manually adjustable shutoff damper** *(old SC00H)*
- SCE Side entry circular spigot, shut-off damper with electric actuator *(old SCBR0)*
- SCM SC with Damper unit for volume flow rate balancing
- SCV Side entry circular spigot, volume flow limiter *(old SCVFL)*
- SCD SC with set-back spigot
- SCA SC with aerosol supply unit
- TC Top entry circular spigot
- TCM SC with Damper unit for volume flow rate balancing
- TCA TC with aerosol injection tube
- SR Side entry rectangular spigot



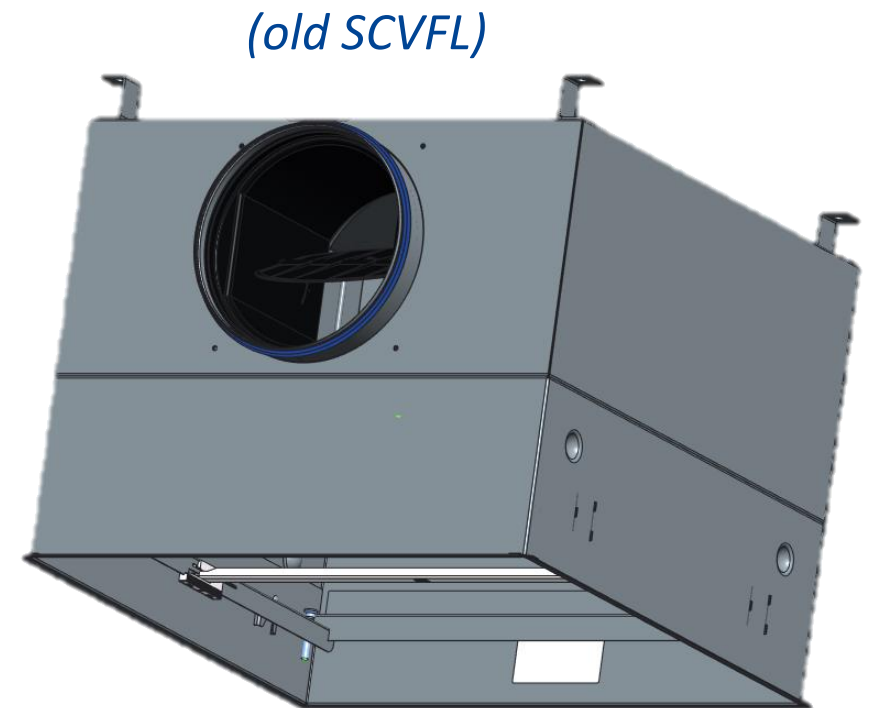
- SC Side entry circular spigot
- SCH Side entry circular spigot, manually adjustable shutoff damper *(old SC00H)*
- **SCE Side entry circular spigot, shut-off damper with electric actuator** *(old SCBR0)*
- SCM SC with Damper unit for volume flow rate balancing
- SCV Side entry circular spigot, volume flow limiter *(old SCVFL)*
- SCD SC with set-back spigot
- SCA SC with aerosol supply unit
- TC Top entry circular spigot
- TCM SC with Damper unit for volume flow rate balancing
- TCA TC with aerosol injection tube
- SR Side entry rectangular spigot



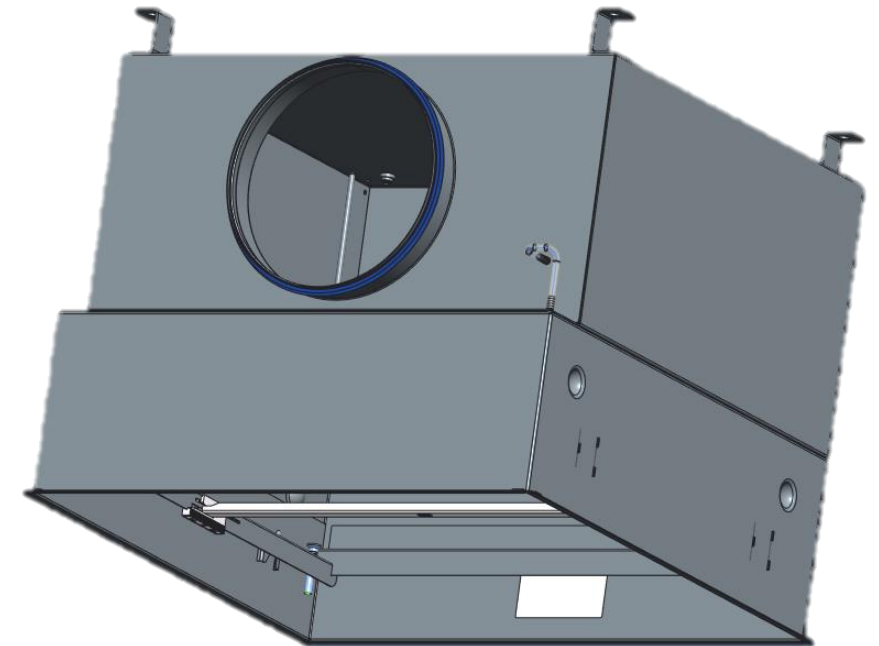
- SC Side entry circular spigot
- SCH Side entry circular spigot, manually adjustable shutoff damper *(old SC00H)*
- SCE Side entry circular spigot, shut-off damper with electric actuator *(old SCBR0)*
- **SCM SC with Damper unit for volume flow rate balancing**
- SCV Side entry circular spigot, volume flow limiter *(old SCVFL)*
- SCD SC with set-back spigot
- SCA SC with aerosol supply unit
- TC Top entry circular spigot
- TCM SC with Damper unit for volume flow rate balancing
- TCA TC with aerosol injection tube
- SR Side entry rectangular spigot



- SC Side entry circular spigot
- SCH Side entry circular spigot, manually adjustable shutoff damper *(old SC00H)*
- SCE Side entry circular spigot, shut-off damper with electric actuator *(old SCBR0)*
- SCM SC with Damper unit for volume flow rate balancing
- **SCV Side entry circular spigot, volume flow limiter** *(old SCVFL)*
- SCD SC with set-back spigot
- SCA SC with aerosol supply unit
- TC Top entry circular spigot
- TCM SC with Damper unit for volume flow rate balancing
- TCA TC with aerosol injection tube
- SR Side entry rectangular spigot

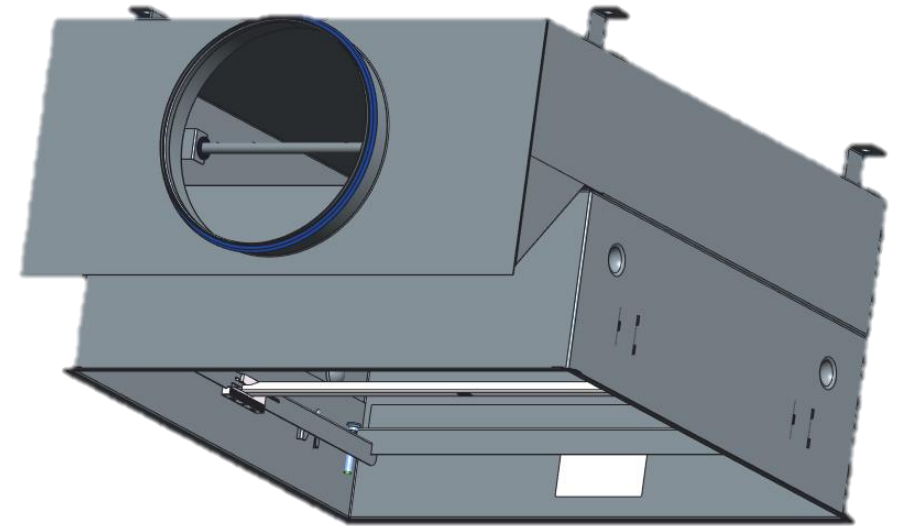


- SC Side entry circular spigot
- SCH Side entry circular spigot, manually adjustable shutoff damper *(old SC00H)*
- SCE Side entry circular spigot, shut-off damper with electric actuator *(old SCBR0)*
- SCM SC with Damper unit for volume flow rate balancing
- SCV Side entry circular spigot, volume flow limiter *(old SCVFL)*
- **SCD SC with set-back spigot**
- SCA SC with aerosol supply unit
- TC Top entry circular spigot
- TCM SC with Damper unit for volume flow rate balancing
- TCA TC with aerosol injection tube
- SR Side entry rectangular spigot

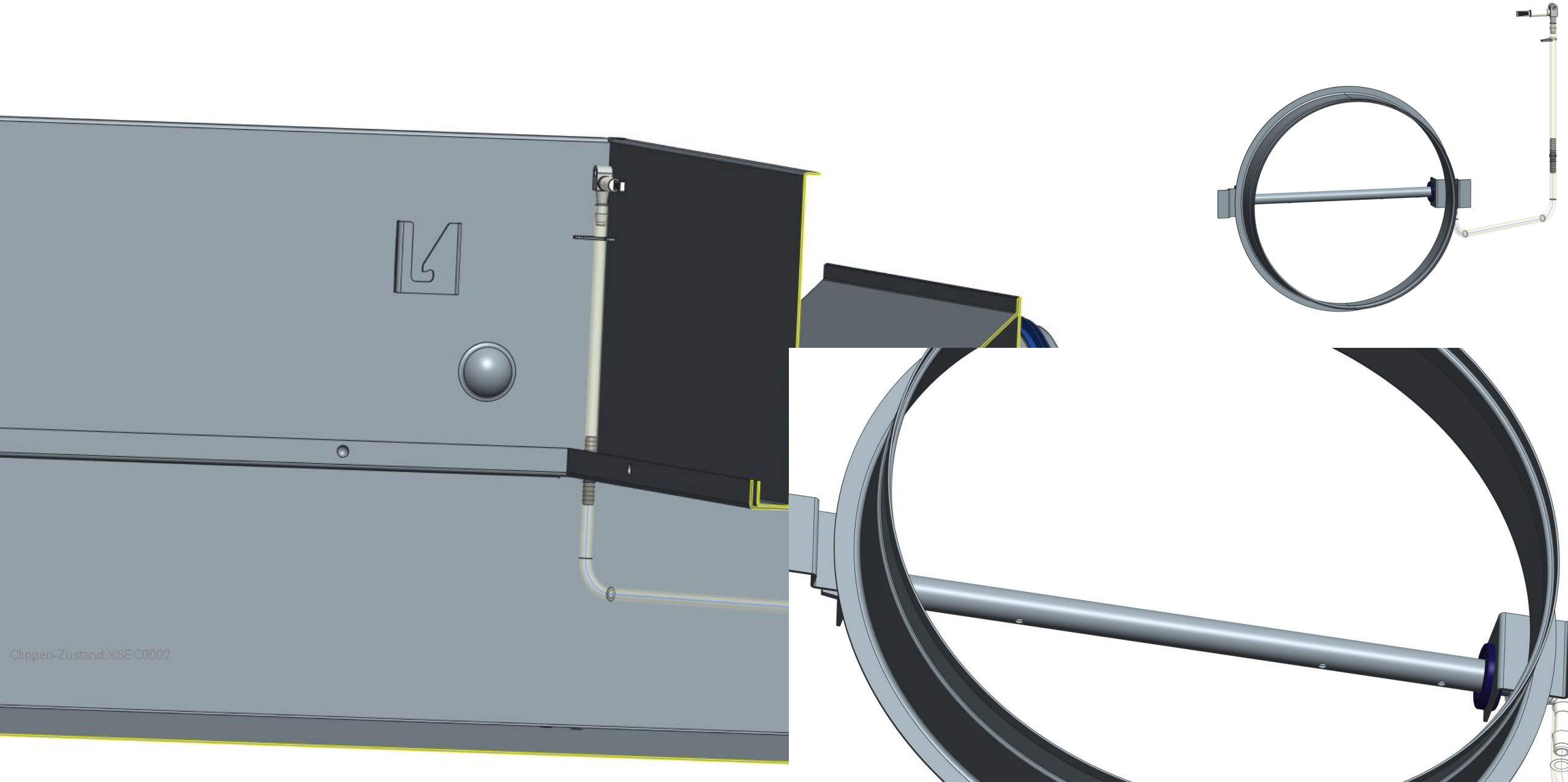




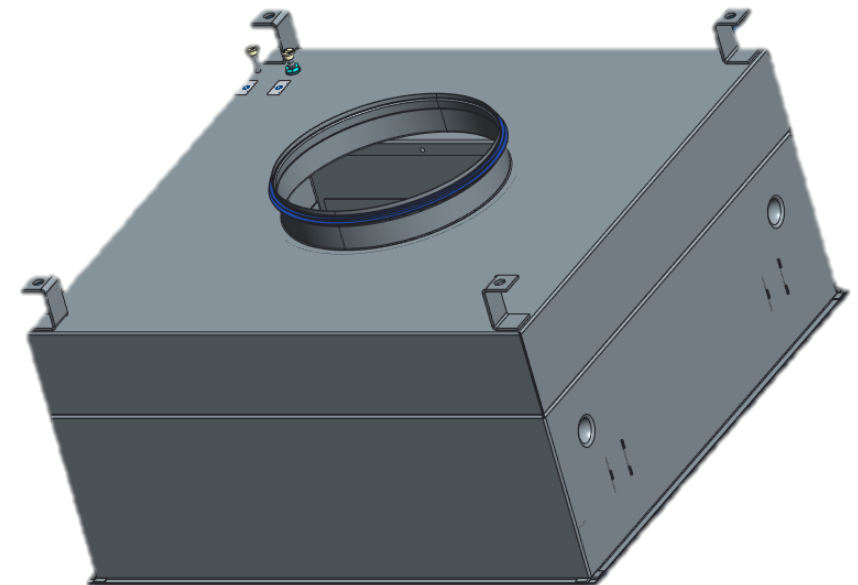
- SC Side entry circular spigot
- SCH Side entry circular spigot, manually adjustable shutoff damper *(old SC00H)*
- SCE Side entry circular spigot, shut-off damper with electric actuator *(old SCBR0)*
- SCM SC with Damper unit for volume flow rate balancing
- SCV Side entry circular spigot, volume flow limiter *(old SCVFL)*
- SCD SC with set-back spigot
- **SCA SC with aerosol supply unit**
- TC Top entry circular spigot
- TCM SC with Damper unit for volume flow rate balancing
- TCA TC with aerosol injection tube
- SR Side entry rectangular spigot



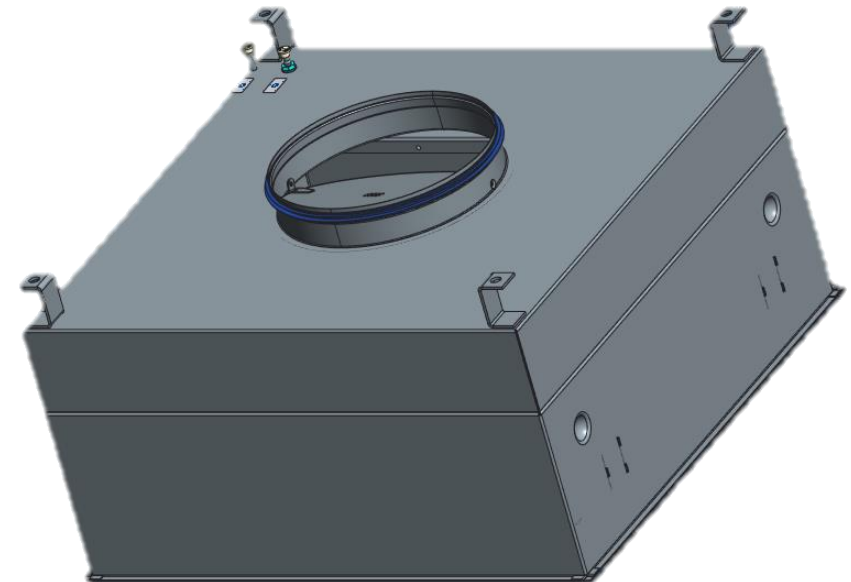
# Aerosol injection tube



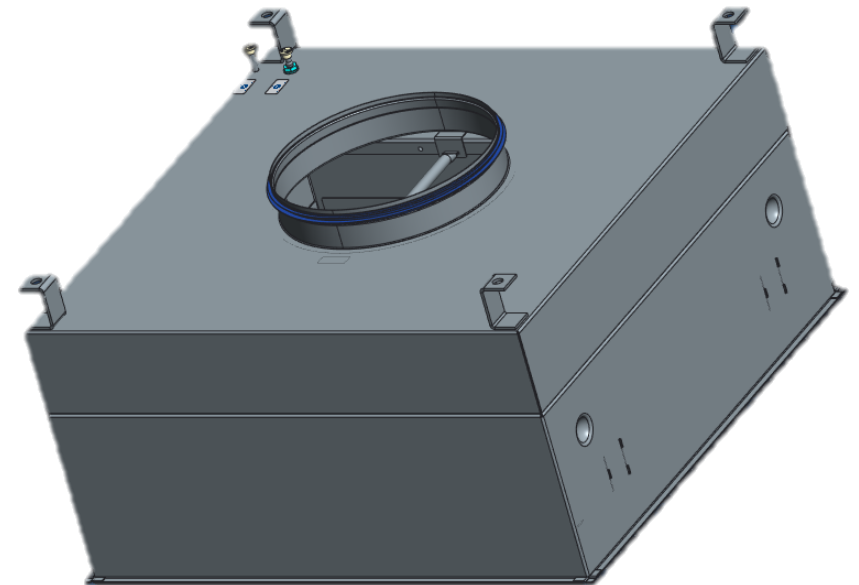
- SC Side entry circular spigot
- SCH Side entry circular spigot, manually adjustable shutoff damper *(old SC00H)*
- SCE Side entry circular spigot, shut-off damper with electric actuator *(old SCBR0)*
- SCM SC with Damper unit for volume flow rate balancing
- SCV Side entry circular spigot, volume flow limiter *(old SCVFL)*
- SCD SC with set-back spigot
- SCA SC with aerosol supply unit
- **TC Top entry circular spigot**
- TCM SC with Damper unit for volume flow rate balancing
- TCA TC with aerosol injection tube
- SR Side entry rectangular spigot



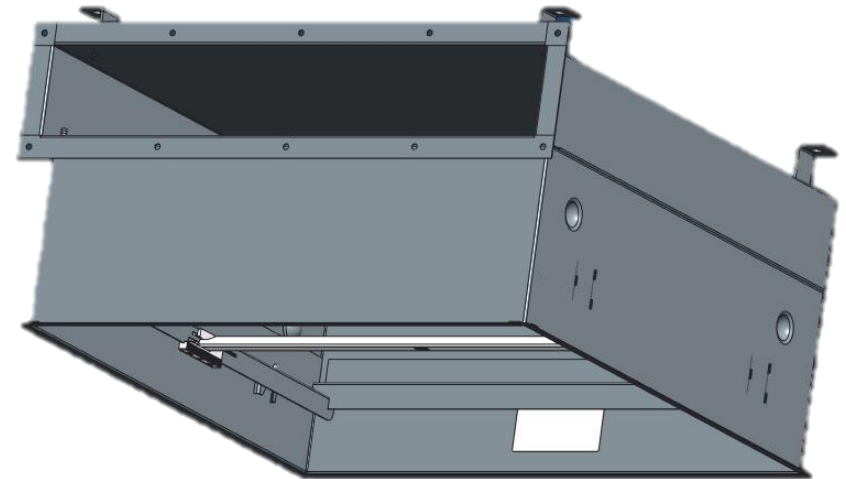
- SC Side entry circular spigot
- SCH Side entry circular spigot, manually adjustable shutoff damper *(old SC00H)*
- SCE Side entry circular spigot, shut-off damper with electric actuator *(old SCBR0)*
- SCM SC with Damper unit for volume flow rate balancing
- SCV Side entry circular spigot, volume flow limiter *(old SCVFL)*
- SCD SC with set-back spigot
- SCA SC with aerosol supply unit
- TC Top entry circular spigot
- **TCM SC with Damper unit for volume flow rate balancing**
- TCA TC with aerosol injection tube
- SR Side entry rectangular spigot



- SC Side entry circular spigot
- SCH Side entry circular spigot, manually adjustable shutoff damper *(old SC00H)*
- SCE Side entry circular spigot, shut-off damper with electric actuator *(old SCBR0)*
- SCM SC with Damper unit for volume flow rate balancing
- SCV Side entry circular spigot, volume flow limiter *(old SCVFL)*
- SCD SC with set-back spigot
- SCA SC with aerosol supply unit
- TC Top entry circular spigot
- TCM SC with Damper unit for volume flow rate balancing
- **TCA TC with aerosol injection tube**
- SR Side entry rectangular spigot



- SC Side entry circular spigot
- SCH Side entry circular spigot, manually adjustable shutoff damper *(old SC00H)*
- SCE Side entry circular spigot, shut-off damper with electric actuator *(old SCBR0)*
- SCM SC with Damper unit for volume flow rate balancing
- SCV Side entry circular spigot, volume flow limiter *(old SCVFL)*
- SCD SC with set-back spigot
- SCA SC with aerosol supply unit
- TC Top entry circular spigot
- TCM SC with Damper unit for volume flow rate balancing
- TCA TC with aerosol injection tube
- **SR Side entry rectangular spigot**



## Order code

TFC – SC – CF – SPC – CC – ID – VDWF / 600 × 24 – 248 – 20 / T  
 | | | | | | | | | | |  
 1 2 3 4 5 6 7 8 9 10 11

### 1 Type

TFC Ceiling mounted particulate filter

### 2 Variant

SC Side entry circular spigot  
 SCH SC with manually adjustable shut-off damper  
 SCE SC with electrical shut-off damper (24 – 240 V AC)  
 SCM SC with damper blade for volume flow rate balancing  
 SCV SC with volume flow limiter  
 SCD SC with recessed spigot  
 SCA SC with aerosol feed  
 TC Top entry circular spigot  
 TCM TC with damper blade for volume flow rate balancing  
 TCA TC with aerosol feed  
 SR Side entry rectangular spigot

### 3 Filter fitting and construction

Without sealing integrity test groove  
 G Filter with gel seal (frame depths 91 – 105 mm)  
 CF Filter with continuous seal and flat seal (frame depths 78 – 90 mm)  
 CFL Filter with continuous seal and flat seal (frame depth 150 mm) (only for SC, SCM, SCA, TC, TCM, TCA, SR)

### With test groove

FT Filter with flat seal (frame depth 78 mm)  
 FTL Filter with flat seal (frame depth 150 mm) (only for SC, SCM, SCA, TC, TCM, TCA, SR)

### 4 Casing material

SPC Steel, powder-coated, RAL 9010 (pure white)  
 STA Stainless steel (only for SC, TC, SR)

### 5 Type of ceiling

No entry: standard  
 CC Clip-in tile ceiling

### 6 Position of air terminal device

ED External  
 ID Internal (not for nominal size 250)

### 7 Air terminal device

No entry: none

### Steel, powder-coated (SPC)

External diffuser (ED)  
**ADLQ, DLQ, DLQL, LF, FD, TDF, VDWF, PCD, AIRNAMIC**

### Internal diffuser (ID)

**LF, FD, TDF, VDWF**

### Stainless steel (STA)

Internal or external diffuser (ID, ED)

**LF, VDWF**

### 8 Nominal size [mm]

Without diffuser  
**400, 500, 600, 625, 680, 825**

External diffuser (ED)  
 ADLQ, DLQ, DLQL, FD, TDF  
**400, 500, 600, 625, 680**

AIRNAMIC, PCD  
**600, 625**

LF  
**400, 500, 600, 625, 680, 825**

VDWF × 16  
**400 × 16**

VDWF × 24  
**500 × 24, 600 × 24, 625 × 24, 680 × 24**

VDWF × 48  
**625 × 48**

VDWF × 54  
**680 × 54**

VDWF × 72  
**825 × 72**

Internal diffuser (ID)  
 LF, FD, TDF  
**400, 500, 600, 625, 680**

VDWF × 16  
**400 × 16**

VDWF × 24  
**500 × 24, 600 × 24, 625 × 24, 680 × 24**

VDWF × 48  
**625 × 48**

VDWF × 54  
**680 × 54**

### 9 Spigot [mm]


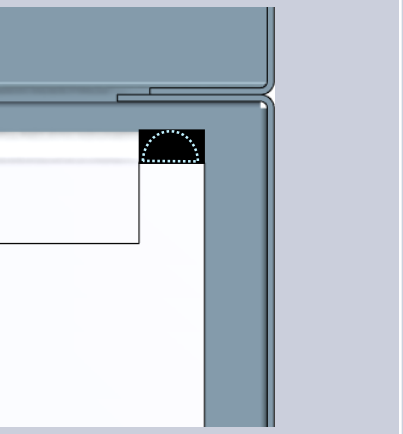
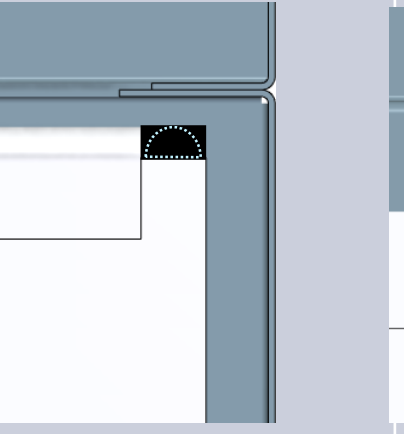
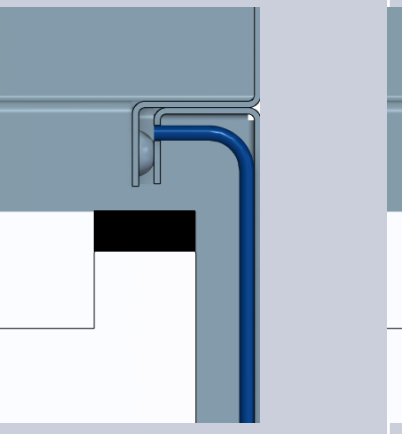
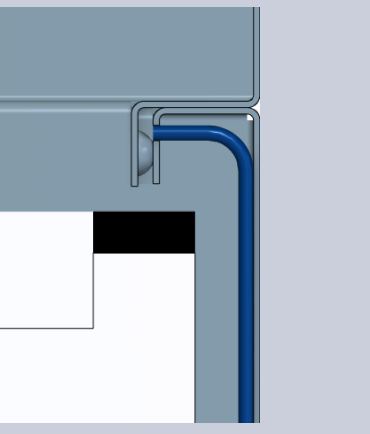
D Diameter  
 B × H Width × height (only with SR)

### 10 Flange width [mm]

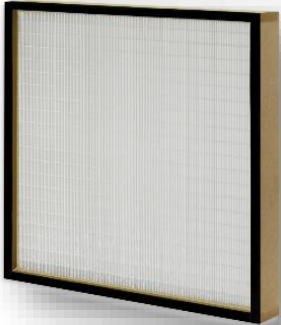
0 Airamic  
**10 – 55**

### 11 Suspension/measurement points

T Suspension and measurement points at the top  
 S Side suspension and measurement points  
 FC False ceiling installation, measurement points at the top

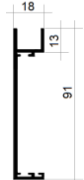
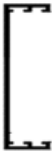
TFC-Type	G	CF	CFL	FT	FTL
					
Sealing integrity test facility	✗	✗	✗	✓	✓
Gel-seal	✓	✗	✗	✗	✗
Continuous sealing	✗	✓	✓	✗	✗
Flat seal	✗	✓	✓	✓	✓
possible Aluminium-Profiles	ALQ, ALU	ALC, ALG, ALZ	ALY	ALZ	ALY





Type	MDF	ALZ	ALC	ALG	ALY	ALU	ALQ
Frame depth:	78/150mm	78mm	78mm	90mm	150mm	91mm	105mm
Sealing:	FNU/CSU	FNU/CSU	CSU	CSU	FNU/CSU	GPU	GPU

FNU=EPDM  
CSU=PU  
GPU=PU-GEL



## Order code

TFC – SC – CF – SPC – CC – ID – VDWF / 600 × 24 – 248 – 20 / T  
 | | | | | | | | | | | |  
 1 2 3 4 5 6 7 8 9 10 11

### 1 Type

TFC Ceiling mounted particulate filter

### 2 Variant

SC Side entry circular spigot  
 SCH SC with manually adjustable shut-off damper  
 SCE SC with electrical shut-off damper (24 – 240 V AC)  
 SCM SC with damper blade for volume flow rate balancing  
 SCV SC with volume flow limiter  
 SCD SC with recessed spigot  
 SCA SC with aerosol feed  
 TC Top entry circular spigot  
 TCM TC with damper blade for volume flow rate balancing  
 TCA TC with aerosol feed  
 SR Side entry rectangular spigot

### 3 Filter fitting and construction

Without sealing integrity test groove  
 G Filter with gel seal (frame depths 91 – 105 mm)  
 CF Filter with continuous seal and flat seal (frame depths 78 – 90 mm)  
 CFL Filter with continuous seal and flat seal (frame depth 150 mm) (only for SC, SCM, SCA, TC, TCM, TCA, SR)

With test groove

FT Filter with flat seal (frame depth 78 mm)  
 FTL Filter with flat seal (frame depth 150 mm) (only for SC, SCM, SCA, TC, TCM, TCA, SR)

### 4 Casing material

SPC Steel, powder-coated, RAL 9010 (pure white)  
 STA Stainless steel (only for SC, TC, SR)

### 5 Type of ceiling

No entry: standard  
 CC Clip-in tile ceiling

### 6 Position of air terminal device

ED External  
 ID Internal (not for nominal size 250)

### 7 Air terminal device

No entry: none

### Steel, powder-coated (SPC)

External diffuser (ED)  
**ADLQ, DLQ, DLQL, LF, FD, TDF, VDWF, PCD, AIRNAMIC**

Internal diffuser (ID)

**LF, FD, TDF, VDWF**

### Stainless steel (STA)

Internal or external diffuser (ID, ED)

**LF, VDWF**

### 8 Nominal size [mm]

Without diffuser  
 400, 500, 600, 625, 680, 825

External diffuser (ED)  
 ADLQ, DLQ, DLQL, FD, TDF  
 400, 500, 600, 625, 680

AIRNAMIC, PCD  
 600, 625

LF  
 400, 500, 600, 625, 680, 825

VDWF × 16  
 400 × 16

VDWF × 24  
 500 × 24, 600 × 24, 625 × 24, 680 × 24

VDWF × 48  
 625 × 48

VDWF × 54  
 680 × 54

VDWF × 72  
 825 × 72

Internal diffuser (ID)  
 LF, FD, TDF  
 400, 500, 600, 625, 680

VDWF × 16  
 400 × 16

VDWF × 24  
 500 × 24, 600 × 24, 625 × 24, 680 × 24

VDWF × 48  
 625 × 48

VDWF × 54  
 680 × 54

### 9 Spigot [mm]

D Diameter  
 B × H Width × height (only with SR)

### 10 Flange width [mm]

0 Airamic  
 10 – 55

### 11 Suspension/measurement points

T Suspension and measurement points at the top  
 S Side suspension and measurement points  
 FC False ceiling installation, measurement points at the top

## Order code

TFC – SC – CF – SPC – CC – ID – VDWF / 600 × 24 – 248 – 20 / T  
 | | | | | | | | | | | |  
 1 2 3 4 5 6 7 8 9 10 11

### 1 Type

TFC Ceiling mounted particulate filter

### 2 Variant

SC Side entry circular spigot  
 SCH SC with manually adjustable shut-off damper  
 SCE SC with electrical shut-off damper (24 – 240 V AC)  
 SCM SC with damper blade for volume flow rate balancing  
 SCV SC with volume flow limiter  
 SCD SC with recessed spigot  
 SCA SC with aerosol feed  
 TC Top entry circular spigot  
 TCM TC with damper blade for volume flow rate balancing  
 TCA TC with aerosol feed  
 SR Side entry rectangular spigot

### 3 Filter fitting and construction

Without sealing integrity test groove  
 G Filter with gel seal (frame depths 91 – 105 mm)  
 CF Filter with continuous seal and flat seal (frame depths 78 – 90 mm)  
 CFL Filter with continuous seal and flat seal (frame depth 150 mm) (only for SC, SCM, SCA, TC, TCM, TCA, SR)

### With test groove

FT Filter with flat seal (frame depth 78 mm)  
 FTL Filter with flat seal (frame depth 150 mm) (only for SC, SCM, SCA, TC, TCM, TCA, SR)

### 4 Casing material

SPC Steel, powder-coated, RAL 9010 (pure white)  
 STA Stainless steel (only for SC, TC, SR)

### 5 Type of ceiling

No entry: standard  
 CC Clip-in tile ceiling

### 6 Position of air terminal device

ED External  
 ID Internal (not for nominal size 250)

### 7 Air terminal device

No entry: none

### Steel, powder-coated (SPC)

External diffuser (ED)  
**ADLQ, DLQ, DLQL, LF, FD, TDF, VDWF, PCD, AIRNAMIC**

### Internal diffuser (ID)

**LF, FD, TDF, VDWF**

### Stainless steel (STA)

Internal or external diffuser (ID, ED)

**LF, VDWF**

### 8 Nominal size [mm]

Without diffuser  
 400, 500, 600, 625, 680, 825

External diffuser (ED)  
 ADLQ, DLQ, DLQL, FD, TDF  
 400, 500, 600, 625, 680

AIRNAMIC, PCD  
 600, 625

LF  
 400, 500, 600, 625, 680, 825

VDWF × 16  
 400 × 16

VDWF × 24  
 500 × 24, 600 × 24, 625 × 24, 680 × 24

VDWF × 48  
 625 × 48

VDWF × 54  
 680 × 54

VDWF × 72  
 825 × 72

Internal diffuser (ID)  
 LF, FD, TDF  
 400, 500, 600, 625, 680

VDWF × 16  
 400 × 16

VDWF × 24  
 500 × 24, 600 × 24, 625 × 24, 680 × 24

VDWF × 48  
 625 × 48

VDWF × 54  
 680 × 54

### 9 Spigot [mm]

D Diameter  
 B × H Width × height (only with SR)

### 10 Flange width [mm]

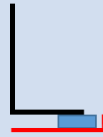
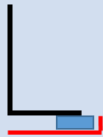



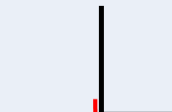


0 Airamic  
 10 – 55

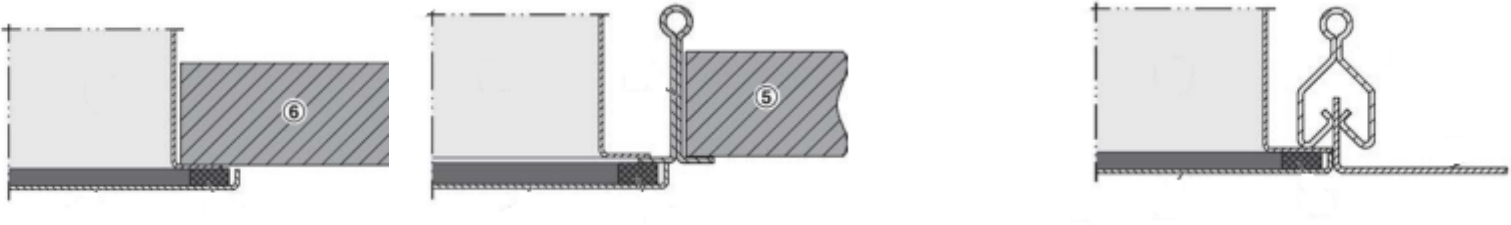
### 11 Suspension/measurement points

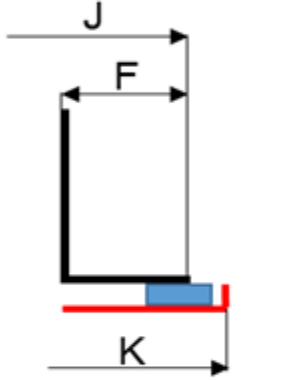
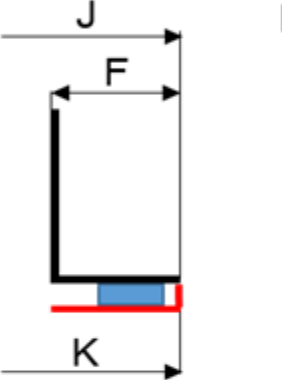
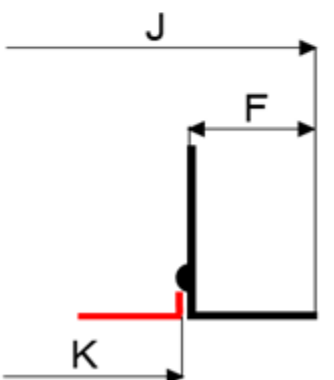
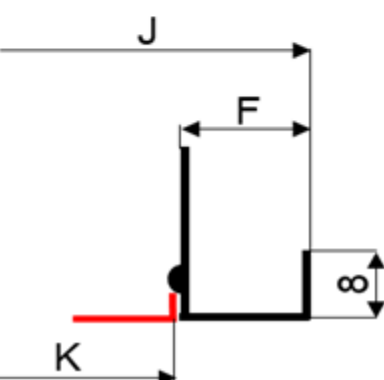
T Suspension and measurement points at the top  
 S Side suspension and measurement points  
 FC False ceiling installation, measurement points at the top

	1. Gipskarton Decke 1. Plasterboard	2. Odenwald Decke 2. Fibreboard ceiling	3. Begehbare Decke 3. Walkable ceiling	4. Klemmkassetten Decke 4. Clamping cassette ceiling
<p>außenliegend Diffuser external (Option ED)</p>				
<p>innenliegend Diffuser internal (Option ID)</p>				

# TFC overview ceiling types

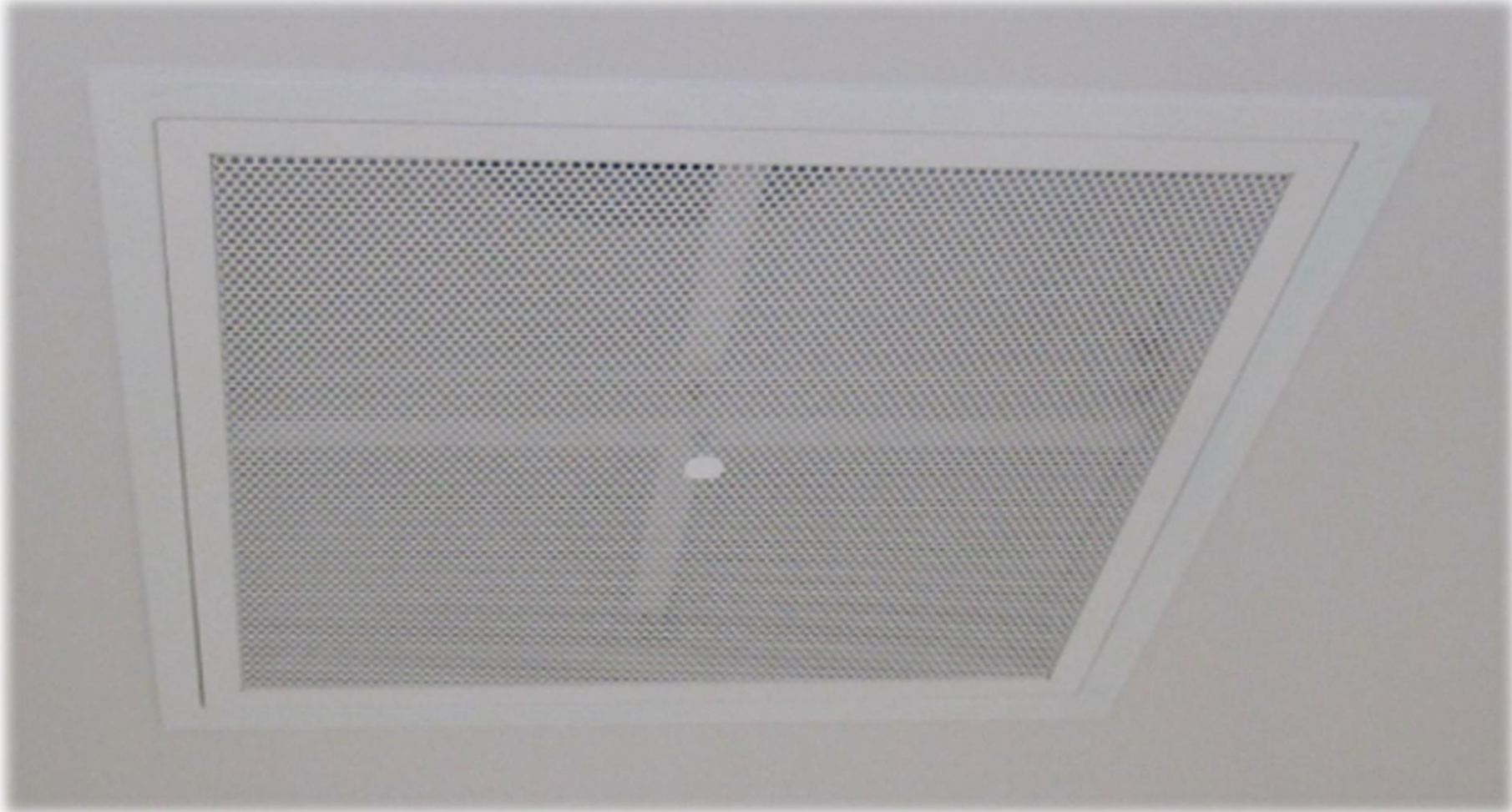
	1. Gipskarton Decke 1. Plasterboard	2. Odenwald Decke 2. Fibreboard ceiling	3. Begehbare Decke 3. Walkable ceiling	4. Klemmkassetten Decke 4. Clamping cassette ceiling
außenliegend Diffuser external (Option ED)				
innenliegend Diffuser internal (Option ID)				



<p style="text-align: center;">Order Code</p> <p style="text-align: center;">↓</p>	<p style="text-align: center;">Pos. 5</p> <p style="text-align: center;">0 - Standard</p>	<p style="text-align: center;">Pos.5</p> <p style="text-align: center;">CC - Clamping cassette</p>
<p style="text-align: center;">Pos. 6</p> <p>ED Diffuser external</p>	 <p style="text-align: right;"><math>K &gt; J</math></p>	 <p style="text-align: right;"><math>K = J</math></p>
<p style="text-align: center;">Pos. 6</p> <p>ID Diffuser internal</p>	 <p style="text-align: right;"><math>J &gt; K</math></p>	 <p style="text-align: right;"><math>J &gt; K</math></p>

**Internal Diffuser (flush mounted)**

---



## Order code

TFC – SC – CF – SPC – CC – ID – VDWF / 600 × 24 – 248 – 20 / T  
 | | | | | | | | | | | |  
 1 2 3 4 5 6 7 8 9 10 11

### 1 Type

TFC Ceiling mounted particulate filter

### 2 Variant

SC Side entry circular spigot  
 SCH SC with manually adjustable shut-off damper  
 SCE SC with electrical shut-off damper (24 – 240 V AC)  
 SCM SC with damper blade for volume flow rate balancing  
 SCV SC with volume flow limiter  
 SCD SC with recessed spigot  
 SCA SC with aerosol feed  
 TC Top entry circular spigot  
 TCM TC with damper blade for volume flow rate balancing  
 TCA TC with aerosol feed  
 SR Side entry rectangular spigot

### 3 Filter fitting and construction

Without sealing integrity test groove  
 G Filter with gel seal (frame depths 91 – 105 mm)  
 CF Filter with continuous seal and flat seal (frame depths 78 – 90 mm)  
 CFL Filter with continuous seal and flat seal (frame depth 150 mm) (only for SC, SCM, SCA, TC, TCM, TCA, SR)

### With test groove

FT Filter with flat seal (frame depth 78 mm)  
 FTL Filter with flat seal (frame depth 150 mm) (only for SC, SCM, SCA, TC, TCM, TCA, SR)

### 4 Casing material

SPC Steel, powder-coated, RAL 9010 (pure white)  
 STA Stainless steel (only for SC, TC, SR)

### 5 Type of ceiling

No entry: standard  
 CC Clip-in tile ceiling

### 6 Position of air terminal device

ED External  
 ID Internal (not for nominal size 250)

### 7 Air terminal device

No entry: none

### Steel, powder-coated (SPC)

External diffuser (ED)  
**ADLQ, DLQ, DLQL, LF, FD, TDF, VDWF, PCD, AIRNAMIC**

### Internal diffuser (ID)

**LF, FD, TDF, VDWF**

### Stainless steel (STA)

Internal or external diffuser (ID, ED)

**LF, VDWF**

### 8 Nominal size [mm]

Without diffuser  
 400, 500, 600, 625, 680, 825

External diffuser (ED)  
 ADLQ, DLQ, DLQL, FD, TDF  
 400, 500, 600, 625, 680

AIRNAMIC, PCD  
 600, 625

LF  
 400, 500, 600, 625, 680, 825

VDWF × 16  
 400 × 16

VDWF × 24  
 500 × 24, 600 × 24, 625 × 24, 680 × 24

VDWF × 48  
 625 × 48

VDWF × 54  
 680 × 54

VDWF × 72  
 825 × 72

Internal diffuser (ID)  
 LF, FD, TDF  
 400, 500, 600, 625, 680

VDWF × 16  
 400 × 16

VDWF × 24  
 500 × 24, 600 × 24, 625 × 24, 680 × 24

VDWF × 48  
 625 × 48

VDWF × 54  
 680 × 54

### 9 Spigot [mm]

D Diameter  
 B × H Width × height (only with SR)

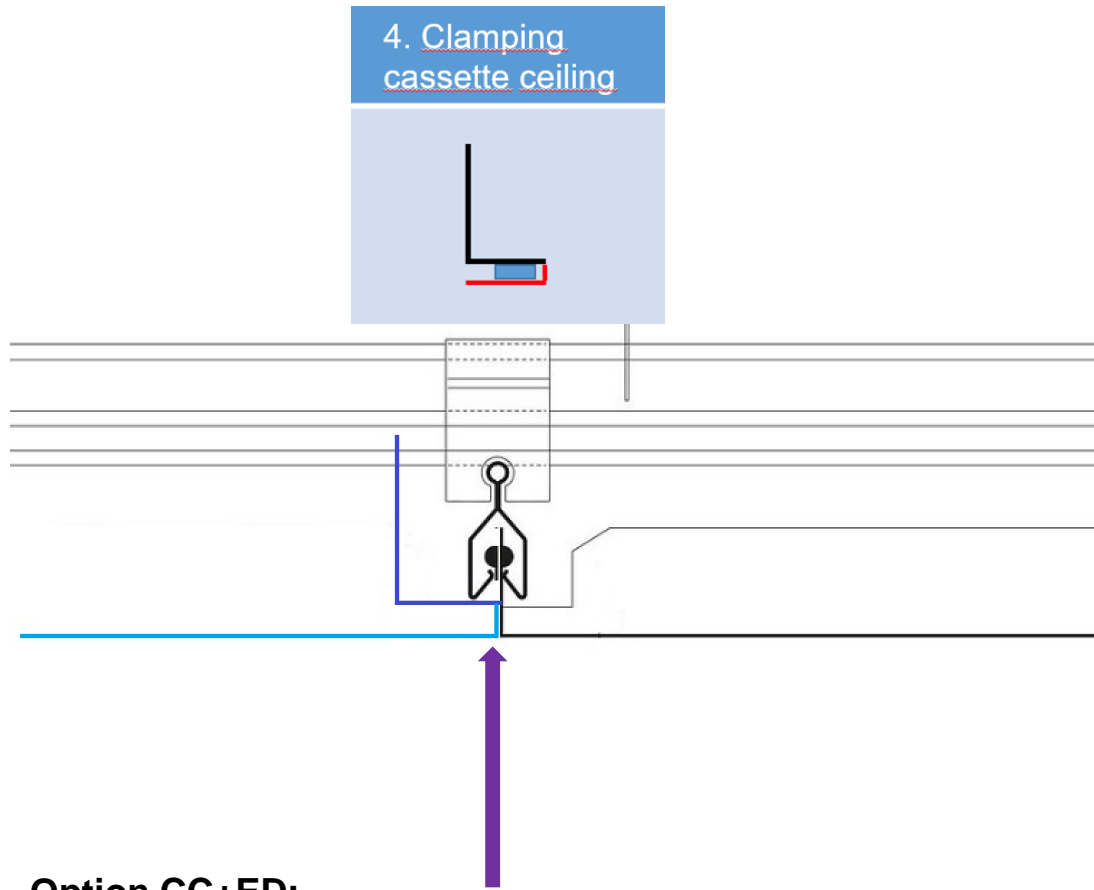
### 10 Flange width [mm]

0 Airamic  
 10 – 55

### 11 Suspension/measurement points

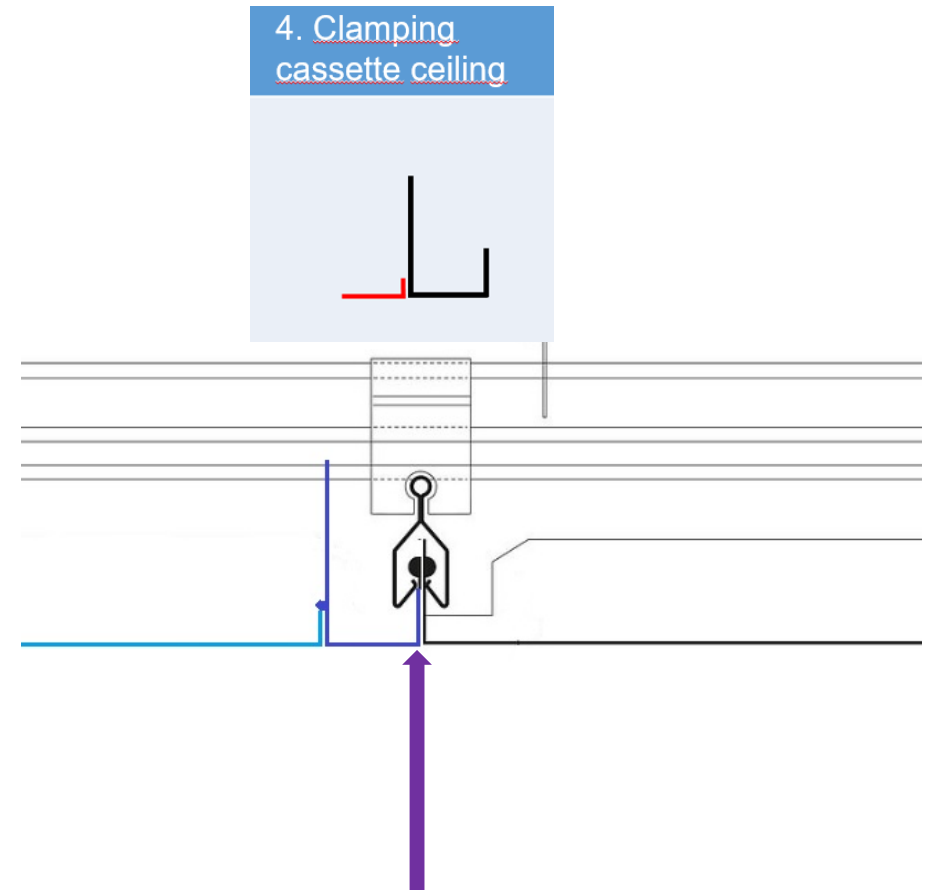
T Suspension and measurement points at the top  
 S Side suspension and measurement points  
 FC False ceiling installation, measurement points at the top





### Option CC+ED:

The flange of the TFC series is enlarged to the outer dimension of the diffuser face = nominal dimension of the diffuser face. In this way, the outside diffuser face has a stop. The seal is made between the diffuser and the ceiling panel.



### Option CC+ID

The flange of the TFC series is enlarged to the outer dimension of the diffuser face = nominal dimension of the diffuser face. The flange has an additional edge, this is used for sealing between the housing and the ceiling panel.

## Order code

TFC – SC – CF – SPC – CC – ID – VDWF / 600 × 24 – 248 – 20 / T  
 | | | | | | | | | | |  
 1 2 3 4 5 6 7 8 9 10 11

### 1 Type

TFC Ceiling mounted particulate filter

### 2 Variant

SC Side entry circular spigot  
 SCH SC with manually adjustable shut-off damper  
 SCE SC with electrical shut-off damper (24 – 240 V AC)  
 SCM SC with damper blade for volume flow rate balancing  
 SCV SC with volume flow limiter  
 SCD SC with recessed spigot  
 SCA SC with aerosol feed  
 TC Top entry circular spigot  
 TCM TC with damper blade for volume flow rate balancing  
 TCA TC with aerosol feed  
 SR Side entry rectangular spigot

### 3 Filter fitting and construction

Without sealing integrity test groove  
 G Filter with gel seal (frame depths 91 – 105 mm)  
 CF Filter with continuous seal and flat seal (frame depths 78 – 90 mm)  
 CFL Filter with continuous seal and flat seal (frame depth 150 mm) (only for SC, SCM, SCA, TC, TCM, TCA, SR)

### With test groove

FT Filter with flat seal (frame depth 78 mm)  
 FTL Filter with flat seal (frame depth 150 mm) (only for SC, SCM, SCA, TC, TCM, TCA, SR)

### 4 Casing material

SPC Steel, powder-coated, RAL 9010 (pure white)  
 STA Stainless steel (only for SC, TC, SR)

### 5 Type of ceiling

No entry: standard  
 CC Clip-in tile ceiling

### 6 Position of air terminal device

ED External  
 ID Internal (not for nominal size 250)

### 7 Air terminal device

No entry: none

#### Steel, powder-coated (SPC)

External diffuser (ED)  
**ADLQ, DLQ, DLQL, LF, FD, TDF, VDWF, PCD, AIRNAMIC**

#### Internal diffuser (ID)

**LF, FD, TDF, VDWF**

#### Stainless steel (STA)

Internal or external diffuser (ID, ED)

**LF, VDWF**

### 8 Nominal size [mm]

Without diffuser  
 400, 500, 600, 625, 680, 825

External diffuser (ED)  
 ADLQ, DLQ, DLQL, FD, TDF  
 400, 500, 600, 625, 680

AIRNAMIC, PCD  
 600, 625

LF  
 400, 500, 600, 625, 680, 825

VDWF × 16  
 400 × 16

VDWF × 24  
 500 × 24, 600 × 24, 625 × 24, 680 × 24

VDWF × 48  
 625 × 48

VDWF × 54  
 680 × 54

VDWF × 72  
 825 × 72

Internal diffuser (ID)  
 LF, FD, TDF  
 400, 500, 600, 625, 680

VDWF × 16  
 400 × 16

VDWF × 24  
 500 × 24, 600 × 24, 625 × 24, 680 × 24

VDWF × 48  
 625 × 48

VDWF × 54  
 680 × 54

### 9 Spigot [mm]

D Diameter  
 B × H Width × height (only with SR)

### 10 Flange width [mm]

0 Airamic  
 10 – 55

### 11 Suspension/measurement points

T Suspension and measurement points at the top  
 S Side suspension and measurement points  
 FC False ceiling installation, measurement points at the top



FD



TDF

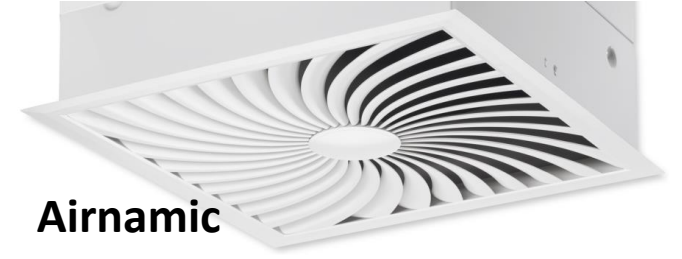


VDWF



(DLQ)LF

ED + ID

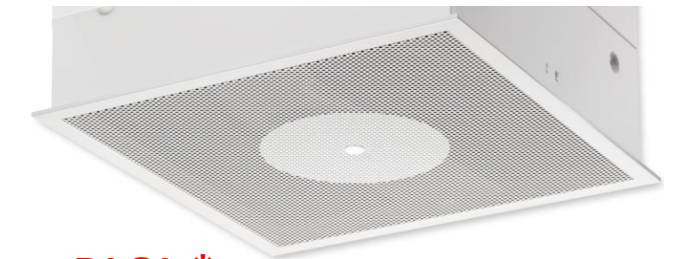


Airnamic



(A)DLQ

ED



DLQL \*



PCD \*

\* H +40 mm

## Order code

TFC – SC – CF – SPC – CC – ID – VDWF / 600 × 24 – 248 – 20 / T  
 | | | | | | | | | | |  
 1 2 3 4 5 6 7 8 9 10 11

### 1 Type

TFC Ceiling mounted particulate filter

### 2 Variant

SC Side entry circular spigot  
 SCH SC with manually adjustable shut-off damper  
 SCE SC with electrical shut-off damper (24 – 240 V AC)  
 SCM SC with damper blade for volume flow rate balancing  
 SCV SC with volume flow limiter  
 SCD SC with recessed spigot  
 SCA SC with aerosol feed  
 TC Top entry circular spigot  
 TCM TC with damper blade for volume flow rate balancing  
 TCA TC with aerosol feed  
 SR Side entry rectangular spigot

### 3 Filter fitting and construction

Without sealing integrity test groove  
 G Filter with gel seal (frame depths 91 – 105 mm)  
 CF Filter with continuous seal and flat seal (frame depths 78 – 90 mm)  
 CFL Filter with continuous seal and flat seal (frame depth 150 mm) (only for SC, SCM, SCA, TC, TCM, TCA, SR)

### With test groove

FT Filter with flat seal (frame depth 78 mm)  
 FTL Filter with flat seal (frame depth 150 mm) (only for SC, SCM, SCA, TC, TCM, TCA, SR)

### 4 Casing material

SPC Steel, powder-coated, RAL 9010 (pure white)  
 STA Stainless steel (only for SC, TC, SR)

### 5 Type of ceiling

No entry: standard  
 CC Clip-in tile ceiling

### 6 Position of air terminal device

ED External  
 ID Internal (not for nominal size 250)

### 7 Air terminal device

No entry: none

### Steel, powder-coated (SPC)

External diffuser (ED)  
**ADLQ, DLQ, DLQL, LF, FD, TDF, VDWF, PCD, AIRNAMIC**

### Internal diffuser (ID)

**LF, FD, TDF, VDWF**

### Stainless steel (STA)

Internal or external diffuser (ID, ED)

**LF, VDWF**

### 8 Nominal size [mm]

Without diffuser  
**400, 500, 600, 625, 680, 825**

External diffuser (ED)  
 ADLQ, DLQ, DLQL, FD, TDF  
**400, 500, 600, 625, 680**

AIRNAMIC, PCD  
**600, 625**

LF  
**400, 500, 600, 625, 680, 825**

VDWF × 16  
**400 × 16**

VDWF × 24  
**500 × 24, 600 × 24, 625 × 24, 680 × 24**

VDWF × 48  
**625 × 48**

VDWF × 54  
**680 × 54**

VDWF × 72  
**825 × 72**

Internal diffuser (ID)  
 LF, FD, TDF  
**400, 500, 600, 625, 680**

VDWF × 16  
**400 × 16**

VDWF × 24  
**500 × 24, 600 × 24, 625 × 24, 680 × 24**

VDWF × 48  
**625 × 48**

VDWF × 54  
**680 × 54**

### 9 Spigot [mm]

D Diameter  
 B × H Width × height (only with SR)

### 10 Flange width [mm]

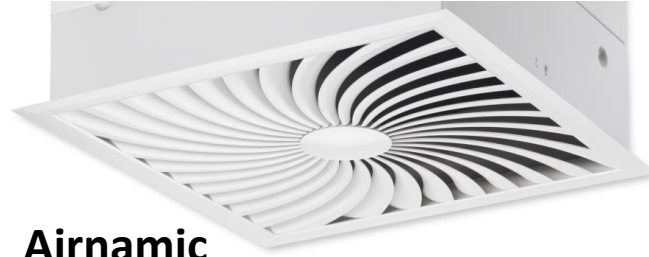
0 Airamic  
**10 – 55**

### 11 Suspension/measurement points

T Suspension and measurement points at the top  
 S Side suspension and measurement points  
 FC False ceiling installation, measurement points at the top



**(A)DLQ**



**Airnamic**



**FD**



**TDF**



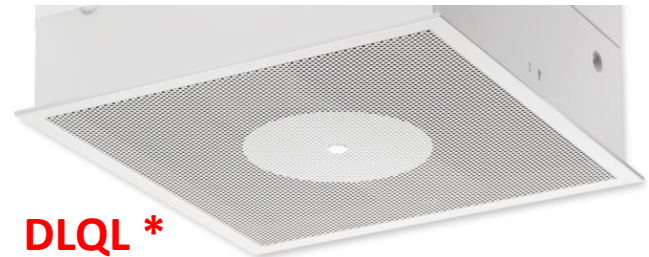
**FDF**



**VDWF**



**(DLQ)LF**



**DLQL \***



**PCD \***

**\* H +40 mm**

## Order code

TFC – SC – CF – SPC – CC – ID – VDWF / 600 × 24 – 248 – 20 / T  
 | | | | | | | | | | |  
 1 2 3 4 5 6 7 8 9 10 11

### 1 Type

TFC Ceiling mounted particulate filter

### 2 Variant

SC Side entry circular spigot  
 SCH SC with manually adjustable shut-off damper  
 SCE SC with electrical shut-off damper (24 – 240 V AC)  
 SCM SC with damper blade for volume flow rate balancing  
 SCV SC with volume flow limiter  
 SCD SC with recessed spigot  
 SCA SC with aerosol feed  
 TC Top entry circular spigot  
 TCM TC with damper blade for volume flow rate balancing  
 TCA TC with aerosol feed  
 SR Side entry rectangular spigot

### 3 Filter fitting and construction

Without sealing integrity test groove  
 G Filter with gel seal (frame depths 91 – 105 mm)  
 CF Filter with continuous seal and flat seal (frame depths 78 – 90 mm)  
 CFL Filter with continuous seal and flat seal (frame depth 150 mm) (only for SC, SCM, SCA, TC, TCM, TCA, SR)

### With test groove

FT Filter with flat seal (frame depth 78 mm)  
 FTL Filter with flat seal (frame depth 150 mm) (only for SC, SCM, SCA, TC, TCM, TCA, SR)

### 4 Casing material

SPC Steel, powder-coated, RAL 9010 (pure white)  
 STA Stainless steel (only for SC, TC, SR)

### 5 Type of ceiling

No entry: standard  
 CC Clip-in tile ceiling

### 6 Position of air terminal device

ED External  
 ID Internal (not for nominal size 250)

### 7 Air terminal device

No entry: none

### Steel, powder-coated (SPC)

External diffuser (ED)  
**ADLQ, DLQ, DLQL, LF, FD, TDF, VDWF, PCD, AIRNAMIC**

### Internal diffuser (ID)

**LF, FD, TDF, VDWF**

### Stainless steel (STA)

Internal or external diffuser (ID, ED)

**LF, VDWF**

### 8 Nominal size [mm]

Without diffuser  
 400, 500, 600, 625, 680, 825

External diffuser (ED)  
 ADLQ, DLQ, DLQL, FD, TDF  
 400, 500, 600, 625, 680

AIRNAMIC, PCD  
 600, 625

LF  
 400, 500, 600, 625, 680, 825

VDWF × 16  
 400 × 16

VDWF × 24  
 500 × 24, 600 × 24, 625 × 24, 680 × 24

VDWF × 48  
 625 × 48

VDWF × 54  
 680 × 54

VDWF × 72  
 825 × 72

Internal diffuser (ID)  
 LF, FD, TDF  
 400, 500, 600, 625, 680

VDWF × 16  
 400 × 16

VDWF × 24  
 500 × 24, 600 × 24, 625 × 24, 680 × 24

VDWF × 48  
 625 × 48

VDWF × 54  
 680 × 54

### 9 Spigot [mm]

D Diameter  
 B × H Width × height (only with SR)

### 10 Flange width [mm]

0 Airamic  
 10 – 55

### 11 Suspension/measurement points

T Suspension and measurement points at the top  
 S Side suspension and measurement points  
 FC False ceiling installation, measurement points at the top

## Order code

TFC – SC – CF – SPC – CC – ID – VDWF / 600 × 24 – 248 – 20 / T  
 | | | | | | | | | | |  
 1 2 3 4 5 6 7 8 9 10 11

### 1 Type

TFC Ceiling mounted particulate filter

### 2 Variant

SC Side entry circular spigot  
 SCH SC with manually adjustable shut-off damper  
 SCE SC with electrical shut-off damper (24 – 240 V AC)  
 SCM SC with damper blade for volume flow rate balancing  
 SCV SC with volume flow limiter  
 SCD SC with recessed spigot  
 SCA SC with aerosol feed  
 TC Top entry circular spigot  
 TCM TC with damper blade for volume flow rate balancing  
 TCA TC with aerosol feed  
 SR Side entry rectangular spigot

### 3 Filter fitting and construction

Without sealing integrity test groove  
 G Filter with gel seal (frame depths 91 – 105 mm)  
 CF Filter with continuous seal and flat seal (frame depths 78 – 90 mm)  
 CFL Filter with continuous seal and flat seal (frame depth 150 mm) (only for SC, SCM, SCA, TC, TCM, TCA, SR)

### With test groove

FT Filter with flat seal (frame depth 78 mm)  
 FTL Filter with flat seal (frame depth 150 mm) (only for SC, SCM, SCA, TC, TCM, TCA, SR)

### 4 Casing material

SPC Steel, powder-coated, RAL 9010 (pure white)  
 STA Stainless steel (only for SC, TC, SR)

### 5 Type of ceiling

No entry: standard  
 CC Clip-in tile ceiling

### 6 Position of air terminal device

ED External  
 ID Internal (not for nominal size 250)

### 7 Air terminal device

No entry: none

### Steel, powder-coated (SPC)

External diffuser (ED)  
**ADLQ, DLQ, DLQL, LF, FD, TDF, VDWF, PCD, AIRNAMIC**

### Internal diffuser (ID)

**LF, FD, TDF, VDWF**

### Stainless steel (STA)

Internal or external diffuser (ID, ED)

**LF, VDWF**

### 8 Nominal size [mm]

Without diffuser  
 400, 500, 600, 625, 680, 825

External diffuser (ED)  
 ADLQ, DLQ, DLQL, FD, TDF  
 400, 500, 600, 625, 680

AIRNAMIC, PCD  
 600, 625

LF  
 400, 500, 600, 625, 680, 825

VDWF × 16  
 400 × 16

VDWF × 24  
 500 × 24, 600 × 24, 625 × 24, 680 × 24

VDWF × 48  
 625 × 48

VDWF × 54  
 680 × 54

VDWF × 72  
 825 × 72

### Internal diffuser (ID)

LF, FD, TDF  
 400, 500, 600, 625, 680

VDWF × 16  
 400 × 16

VDWF × 24  
 500 × 24, 600 × 24, 625 × 24, 680 × 24

VDWF × 48  
 625 × 48

VDWF × 54  
 680 × 54

### 9 Spigot [mm]

D Diameter  
 B × H Width × height (only with SR)

### 10 Flange width [mm]

0 Airamic  
 10 – 55

### 11 Suspension/measurement points

T Suspension and measurement points at the top  
 S Side suspension and measurement points  
 FC False ceiling installation, measurement points at the top

## Order code

TFC – SC – CF – SPC – CC – ID – VDWF / 600 × 24 – 248 – 20 / T  
 | | | | | | | | | | |  
 1 2 3 4 5 6 7 8 9 10 11

### 1 Type

TFC Ceiling mounted particulate filter

### 2 Variant

SC Side entry circular spigot  
 SCH SC with manually adjustable shut-off damper  
 SCE SC with electrical shut-off damper (24 – 240 V AC)  
 SCM SC with damper blade for volume flow rate balancing  
 SCV SC with volume flow limiter  
 SCD SC with recessed spigot  
 SCA SC with aerosol feed  
 TC Top entry circular spigot  
 TCM TC with damper blade for volume flow rate balancing  
 TCA TC with aerosol feed  
 SR Side entry rectangular spigot

### 3 Filter fitting and construction

Without sealing integrity test groove  
 G Filter with gel seal (frame depths 91 – 105 mm)  
 CF Filter with continuous seal and flat seal (frame depths 78 – 90 mm)  
 CFL Filter with continuous seal and flat seal (frame depth 150 mm) (only for SC, SCM, SCA, TC, TCM, TCA, SR)

### With test groove

FT Filter with flat seal (frame depth 78 mm)  
 FTL Filter with flat seal (frame depth 150 mm) (only for SC, SCM, SCA, TC, TCM, TCA, SR)

### 4 Casing material

SPC Steel, powder-coated, RAL 9010 (pure white)  
 STA Stainless steel (only for SC, TC, SR)

### 5 Type of ceiling

No entry: standard  
 CC Clip-in tile ceiling

### 6 Position of air terminal device

ED External  
 ID Internal (not for nominal size 250)

### 7 Air terminal device

No entry: none

### Steel, powder-coated (SPC)

External diffuser (ED)  
**ADLQ, DLQ, DLQL, LF, FD, TDF, VDWF, PCD, AIRNAMIC**

### Internal diffuser (ID)

**LF, FD, TDF, VDWF**

### Stainless steel (STA)

Internal or external diffuser (ID, ED)

**LF, VDWF**

### 8 Nominal size [mm]

Without diffuser  
 400, 500, 600, 625, 680, 825

External diffuser (ED)  
 ADLQ, DLQ, DLQL, FD, TDF  
 400, 500, 600, 625, 680

AIRNAMIC, PCD  
 600, 625

LF  
 400, 500, 600, 625, 680, 825

VDWF × 16  
 400 × 16

VDWF × 24  
 500 × 24, 600 × 24, 625 × 24, 680 × 24

VDWF × 48  
 625 × 48

VDWF × 54  
 680 × 54

VDWF × 72  
 825 × 72

Internal diffuser (ID)  
 LF, FD, TDF  
 400, 500, 600, 625, 680

VDWF × 16  
 400 × 16

VDWF × 24  
 500 × 24, 600 × 24, 625 × 24, 680 × 24

VDWF × 48  
 625 × 48

VDWF × 54  
 680 × 54

### 9 Spigot [mm]

D Diameter  
 B × H Width × height (only with SR)

### 10 Flange width [mm]

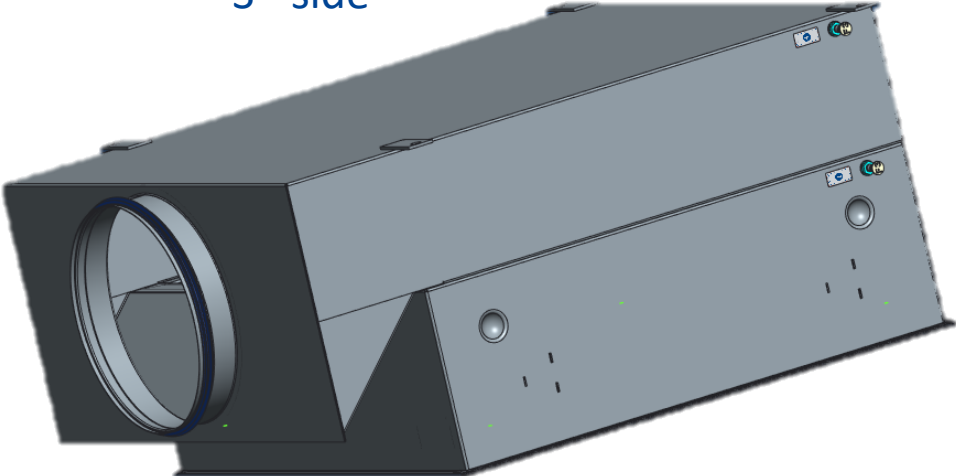
0 Airamic  
 10 – 55

### 11 Suspension/measurement points

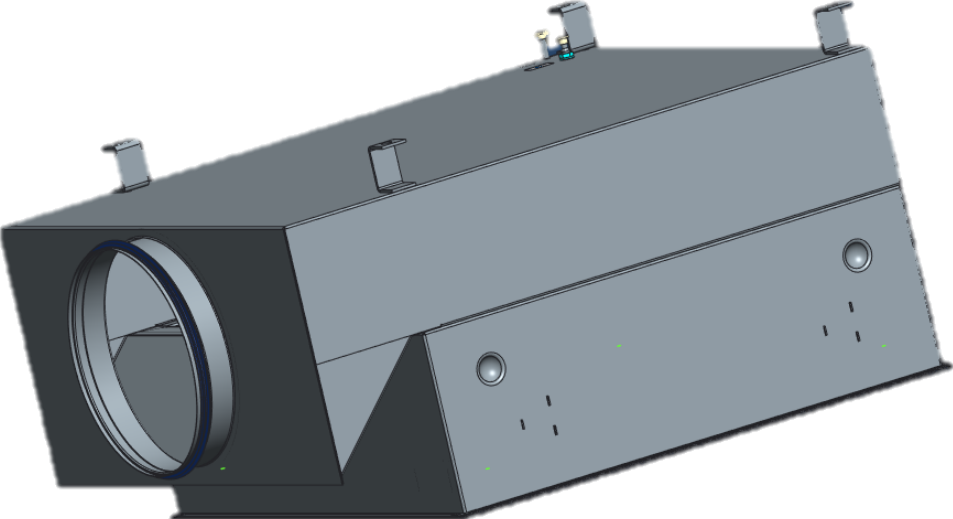
T Suspension and measurement points at the top  
 S Side suspension and measurement points  
 FC False ceiling installation, measurement points at the top



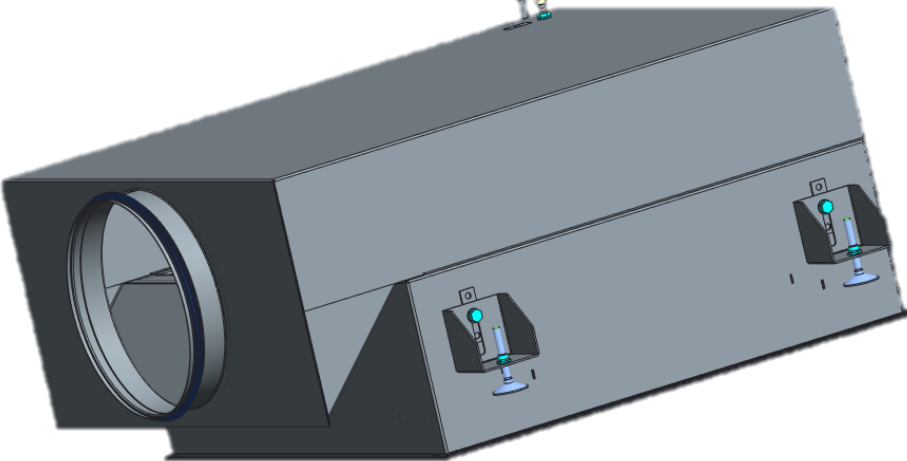
S - side

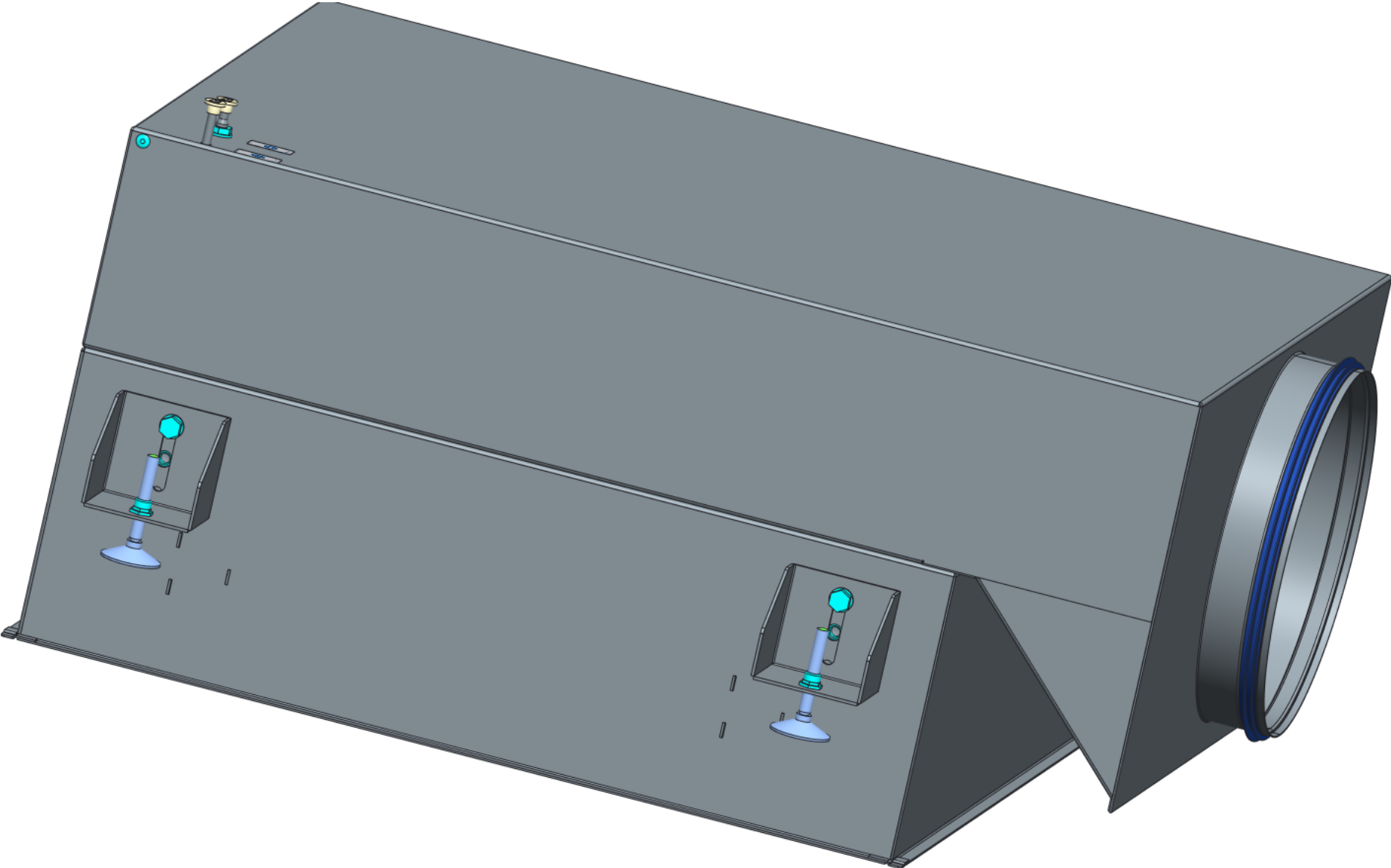


T - top



FC – false ceiling







**New TFW**

**Product launch Q4 /22**

Questions?