

# Ballorex® Venturi

## 3.1 Product data sheet

### Ballorex Venturi

DN 65 flange/flange



Dimensions	Specifications
	<p><b>Max. temperature</b> 120°C  <b>Min. temperature</b> -20°C  <b>Max. pressure</b> 16 bar  <b>Marking on valve</b> (Venturi pipe) DN, max. temperature, flow direction            (Butterfly gearbox) Valve type, DN, Kvm</p> <p><b>Connection</b> Flange: EN 1092-1 PN16  <b>Valve pipe</b> Carbon steel  <b>Butterfly valve body</b> Cast iron, fully lugged (ASTM A126 KL.B)</p> <p><b>Disc</b> Stainless steel (ASTM A351)  <b>Shaft</b> Stainless steel (ASTM A276)  <b>Test points</b> DR Brass CW602N  <b>Sealings</b> EPDM and NBR</p>

Valve	Article	Dimension	Nom. Inch	Kvs m <sup>3</sup> /h	Kvm m <sup>3</sup> /h	Flow range	
						l/s	m <sup>3</sup> /h
	3937000-680009	DN 65	2½"	78.2	37.4	1.80-7.00	6.48-25.2

**Note!** The Kvs value refers to the pressure loss across the entire valve.  
 The Kvm value refers to the pressure loss across the measuring points and must be used only for flow verification during system commissioning.

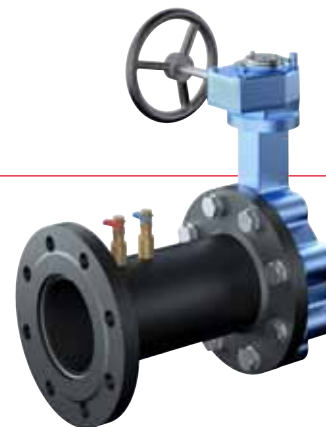
Accessories	Article	Dimension	Description
	41550025-000003	R 1¼" / G ¾"	Combi Drain Maxi with measuring point
	3937310-080009	DN 65	Butterfly valve for Ballorex Venturi Kvs: 148 m <sup>3</sup> /h

# Ballorex® Venturi

## 3.1 Product data sheet

### Ballorex Venturi

DN 80 flange/flange



Dimensions	Specifications
	<p><b>Max. temperature</b> 120°C  <b>Min. temperature</b> -20°C  <b>Max. pressure</b> 16 bar  <b>Marking on valve</b> (Venturi pipe) DN, max. temperature, flow direction            (Butterfly gearbox) Valve type, DN, Kvm</p> <p><b>Connection</b> Flange: EN 1092-1 PN16  <b>Valve pipe</b> Carbon steel  <b>Butterfly valve body</b> Cast iron, fully lugged (ASTM A126 KL.B)</p> <p><b>Disc</b> Stainless steel (ASTM A351)  <b>Shaft</b> Stainless steel (ASTM A276)  <b>Test points</b> DR Brass CW602N  <b>Sealings</b> EPDM and NBR</p>

Valve	Article	Dimension	Nom. Inch	Kvs m <sup>3</sup> /h	Kvm m <sup>3</sup> /h	Flow range	
						l/s	m <sup>3</sup> /h
	3937600-680009	DN 80	3"	169	72.9	3.50-15.0	12.6-54.0

**Note!** The Kvs value refers to the pressure loss across the entire valve.  
 The Kvm value refers to the pressure loss across the measuring points and must be used only for flow verification during system commissioning.

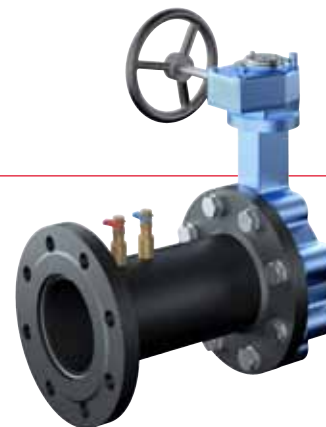
Accessories	Article	Dimension	Description
	41550025-000003	R 1/4" / G 3/4"	Combi Drain Maxi with measuring point
	3937910-080009	DN 80	Butterfly valve for Ballorex Venturi Kvs: 237 m <sup>3</sup> /h

# Ballorex® Venturi

## 3.1 Product data sheet

### Ballorex Venturi

DN 100 flange/flange



Dimensions	Specifications
	<p><b>Max. temperature</b> 120°C  <b>Min. temperature</b> -20°C  <b>Max. pressure</b> 16 bar  <b>Marking on valve</b> (Venturi pipe) DN, max. temperature, flow direction            (Butterfly gearbox) Valve type, DN, Kvm</p> <p><b>Connection</b> Flange: EN 1092-1 PN16  <b>Valve pipe</b> Carbon steel  <b>Butterfly valve body</b> Cast iron, fully lugged (ASTM A126 KL.B)</p> <p><b>Disc</b> Stainless steel (ASTM A351)  <b>Shaft</b> Stainless steel (ASTM A276)  <b>Test points</b> DR Brass CW602N  <b>Sealings</b> EPDM and NBR</p>

Valve	Article	Dimension	Nom. Inch	Kvs m <sup>3</sup> /h	Kvm m <sup>3</sup> /h	Flow range	
						l/s	m <sup>3</sup> /h
	3938200-680009	DN 100	4"	360	129	6.20-26.0	22.3-93.6

**Note!** The Kvs value refers to the pressure loss across the entire valve.  
 The Kvm value refers to the pressure loss across the measuring points and must be used only for flow verification during system commissioning.

Accessories	Article	Dimension	Description
	41550025-000003	R 1/4" / G 3/4"	Combi Drain Maxi with measuring point
	3938510-080009	DN 100	Butterfly valve for Ballorex Venturi Kvs: 603 m <sup>3</sup> /h

# Ballorex® Venturi

## 3.1 Product data sheet

### Ballorex Venturi

DN 125 flange/flange



Dimensions	Specifications
	<p><b>Max. temperature</b> 120°C  <b>Min. temperature</b> -20°C  <b>Max. pressure</b> 16 bar  <b>Marking on valve</b> (Venturi pipe) DN, max. temperature, flow direction            (Butterfly gearbox) Valve type, DN, Kvm</p> <p><b>Connection</b> Flange: EN 1092-1 PN16  <b>Valve pipe</b> Carbon steel  <b>Butterfly valve body</b> Cast iron, fully lugged (ASTM A126 KL.B)</p> <p><b>Disc</b> Stainless steel (ASTM A351)  <b>Shaft</b> Stainless steel (ASTM A276)  <b>Test points</b> DR Brass CW602N  <b>Sealings</b> EPDM and NBR</p>

Valve	Article	Dimension	Nom. Inch	Kvs m <sup>3</sup> /h	Kvm m <sup>3</sup> /h	Flow range	
						l/s	m <sup>3</sup> /h
	3938800-680009	DN 125	5"	502	190	9.00-40.0	32.4-144

**Note!** The Kvs value refers to the pressure loss across the entire valve.  
 The Kvm value refers to the pressure loss across the measuring points and must be used only for flow verification during system commissioning.

Accessories	Article	Dimension	Description
	41550025-000003	R 1/4" / G 3/4"	Combi Drain Maxi with measuring point
	3939110-080009	DN 125	Butterfly valve for Ballorex Venturi Kvs: 888 m <sup>3</sup> /h

# Ballorex® Venturi

## 3.1 Product data sheet

### Ballorex Venturi

DN 150 flange/flange



Dimensions	Specifications
	<p><b>Max. temperature</b> 120°C  <b>Min. temperature</b> -20°C  <b>Max. pressure</b> 16 bar  <b>Marking on valve</b> (Venturi pipe) DN, max. temperature, flow direction            (Butterfly gearbox) Valve type, DN, Kvm</p> <p><b>Connection</b> Flange: EN 1092-1 PN16  <b>Valve pipe</b> Carbon steel  <b>Butterfly valve body</b> Cast iron, fully lugged (ASTM A126 KL.B)</p> <p><b>Disc</b> Stainless steel (ASTM A351)  <b>Shaft</b> Stainless steel (ASTM A276)  <b>Test points</b> DR Brass CW602N  <b>Sealings</b> EPDM and NBR</p>

Valve	Article	Dimension	Nom. Inch	Kvs m <sup>3</sup> /h	Kvm m <sup>3</sup> /h	Flow range	
						l/s	m <sup>3</sup> /h
	3939400-680009	DN 150	6"	1010	348	16.8-57.0	60.5-205

**Note!** The Kvs value refers to the pressure loss across the entire valve.  
 The Kvm value refers to the pressure loss across the measuring points and must be used only for flow verification during system commissioning.

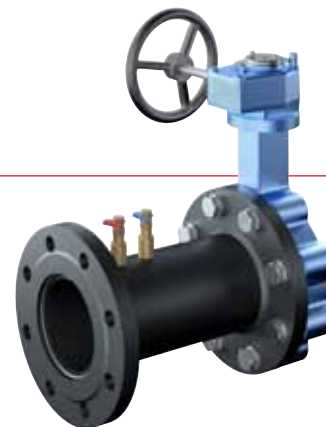
Accessories	Article	Dimension	Description
	41550025-000003	R 1/4" / G 3/4"	Combi Drain Maxi with measuring point
	3939710-080009	DN 150	Butterfly valve for Ballorex Venturi Kvs: 2340 m <sup>3</sup> /h

# Ballorex® Venturi

## 3.1 Product data sheet

### Ballorex Venturi

DN 200 flange/flange



Dimensions	Specifications
	<p><b>Max. temperature</b> 120°C  <b>Min. temperature</b> -20°C  <b>Max. pressure</b> 16 bar  <b>Marking on valve</b> (Venturi pipe) DN, max. temperature, flow direction            (Butterfly gearbox) Valve type, DN, Kvm</p> <p><b>Connection</b> Flange: EN 1092-1 PN16  <b>Valve pipe</b> Carbon steel  <b>Butterfly valve body</b> Cast iron, fully lugged (ASTM A126 KL.B)</p> <p><b>Disc</b> Stainless steel (ASTM A351)  <b>Shaft</b> Stainless steel (ASTM A276)  <b>Test points</b> DR Brass CW602N  <b>Sealings</b> EPDM and NBR</p>

Valve	Article	Dimension	Nom. Inch	Kvs m <sup>3</sup> /h	Kvm m <sup>3</sup> /h	Flow range	
						l/s	m <sup>3</sup> /h
	3940000-680009	DN 200	8"	1910	586	28.0-100	101-360

**Note!** The Kvs value refers to the pressure loss across the entire valve.  
 The Kvm value refers to the pressure loss across the measuring points and must be used only for flow verification during system commissioning.

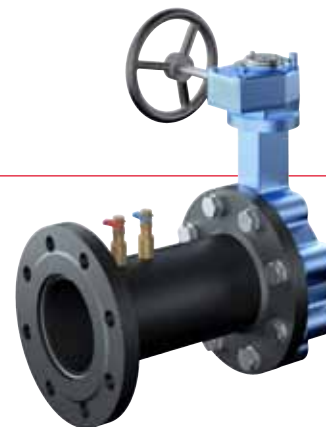
Accessories	Article	Dimension	Description
	41550025-000003	R 1/4" / G 3/4"	Combi Drain Maxi with measuring point
	3940210-080009	DN 200	Butterfly valve for Ballorex Venturi Kvs: 2850 m <sup>3</sup> /h

# Ballorex® Venturi

## 3.1 Product data sheet

### Ballorex Venturi

DN 250 flange/flange



Dimensions	Specifications
	<p><b>Max. temperature</b> 120°C  <b>Min. temperature</b> -20°C  <b>Max. pressure</b> 16 bar  <b>Marking on valve</b> (Venturi pipe) DN, max. temperature, flow direction            (Butterfly gearbox) Valve type, DN, Kvm</p> <p><b>Connection</b> Flange: EN 1092-1 PN16  <b>Valve pipe</b> Carbon steel  <b>Butterfly valve body</b> Cast iron, fully lugged (ASTM A126 KL.B)</p> <p><b>Disc</b> Stainless steel (ASTM A351)  <b>Shaft</b> Stainless steel (ASTM A276)  <b>Test points</b> DR Brass CW602N  <b>Sealings</b> EPDM and NBR</p>

Valve	Article	Dimension	Nom. Inch	Kvs m <sup>3</sup> /h	Kvm m <sup>3</sup> /h	Flow range	
						l/s	m <sup>3</sup> /h
	3940600-680009	DN 250	10"	2540	861	41.0-157	148-565

**Note!** The Kvs value refers to the pressure loss across the entire valve.  
 The Kvm value refers to the pressure loss across the measuring points and must be used only for flow verification during system commissioning.

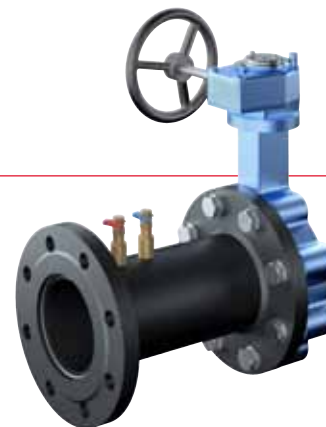
Accessories	Article	Dimension	Description
	41550025-000003	R 1/4" / G 3/4"	Combi Drain Maxi with measuring point
	3940810-080009	DN 250	Butterfly valve for Ballorex Venturi Kvs: 4550 m <sup>3</sup> /h

# Ballorex® Venturi

## 3.1 Product data sheet

### Ballorex Venturi

DN 300 flange/flange



Dimensions	Specifications
	<p><b>Max. temperature</b> 120°C  <b>Min. temperature</b> -20°C  <b>Max. pressure</b> 16 bar  <b>Marking on valve</b> (Venturi pipe) DN, max. temperature, flow direction            (Butterfly gearbox) Valve type, DN, Kvm</p> <p><b>Connection</b> Flange: EN 1092-1 PN16  <b>Valve pipe</b> Carbon steel  <b>Butterfly valve body</b> Cast iron, fully lugged (ASTM A126 KL.B)</p> <p><b>Disc</b> Stainless steel (ASTM A351)  <b>Shaft</b> Stainless steel (ASTM A276)  <b>Test points</b> DR Brass CW602N  <b>Sealings</b> EPDM and NBR</p>

Valve	Article	Dimension	Nom. Inch	Kvs m <sup>3</sup> /h	Kvm m <sup>3</sup> /h	Flow range	
						l/s	m <sup>3</sup> /h
	3941200-680009	DN 300	12"	4850	1513	72.0-226	259-814

**Note!** The Kvs value refers to the pressure loss across the entire valve.  
 The Kvm value refers to the pressure loss across the measuring points and must be used only for flow verification during system commissioning.

Accessories	Article	Dimension	Description
	41550025-000003	R 1/4" / G 3/4"	Combi Drain Maxi with measuring point
	3941410-080009	DN 300	Butterfly valve for Ballorex Venturi Kvs: 7760 m <sup>3</sup> /h



# Ballorex® Venturi

## 3.1 Product data sheet

### Ballorex Venturi

DN 350 flange/flange



Dimensions	Specifications
	<p><b>Max. temperature</b> 120°C  <b>Min. temperature</b> -20°C  <b>Max. pressure</b> 16 bar  <b>Marking on valve</b> (Venturi pipe) DN, max. temperature, flow direction            (Butterfly gearbox) Valve type, DN, Kvm</p> <p><b>Connection</b> Flange: EN 1092-1 PN16  <b>Valve pipe</b> Carbon steel  <b>Butterfly valve body</b> Cast iron, fully lugged (ASTM A126 KL.B)</p> <p><b>Disc</b> Stainless steel (ASTM A351)  <b>Shaft</b> Stainless steel (ASTM A276)  <b>Test points</b> DR Brass CW602N  <b>Sealings</b> EPDM and NBR</p>

Valve	Article	Dimension	Nom. Inch	Kvs m <sup>3</sup> /h	Kvm m <sup>3</sup> /h	Flow range	
						l/s	m <sup>3</sup> /h
	3941800-680009	DN 350	14"	*	2620	126-304	454-1093

\* Product available upon request.

**Note!** The Kvs value refers to the pressure loss across the entire valve.  
 The Kvm value refers to the pressure loss across the measuring points and must be used only for flow verification during system commissioning.

Accessories	Article	Dimension	Description
	41550025-000003	R 1/4" / G 3/4"	Combi Drain Maxi with measuring point

# Ballorex® Venturi

## 3.1 Product data sheet



### Ballorex Venturi

DN 400 flange/flange

Dimensions	Specifications
	<p><b>Max. temperature</b> 120°C  <b>Min. temperature</b> -20°C  <b>Max. pressure</b> 16 bar  <b>Marking on valve</b> (Venturi pipe) DN, max. temperature, flow direction            (Butterfly gearbox) Valve type, DN, Kvm</p> <p><b>Connection</b> Flange: EN 1092-1 PN16  <b>Valve pipe</b> Carbon steel  <b>Butterfly valve body</b> Cast iron, fully lugged (ASTM A126 KL.B)</p> <p><b>Disc</b> Stainless steel (ASTM A351)  <b>Shaft</b> Stainless steel (ASTM A276)  <b>Test points</b> DR Brass CW602N  <b>Sealings</b> EPDM and NBR</p>

Valve	Article	Dimension	Nom. Inch	Kvs m <sup>3</sup> /h	Kvm m <sup>3</sup> /h	Flow range	
						l/s	m <sup>3</sup> /h
	3942400-680009	DN 400	16"	*	3370	162-394	583-1420

\* Product available upon request.

**Note!** The Kvs value refers to the pressure loss across the entire valve.  
 The Kvm value refers to the pressure loss across the measuring points and must be used only for flow verification during system commissioning.

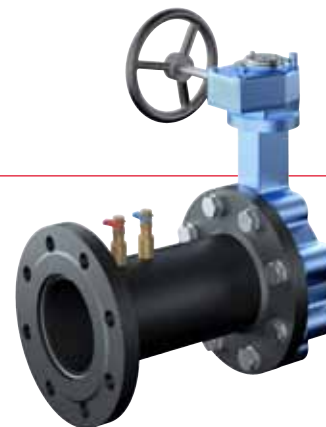
Accessories	Article	Dimension	Description
	41550025-000003	R 1/4" / G 3/4"	Combi Drain Maxi with measuring point

# Ballorex® Venturi

## 3.1 Product data sheet

### Ballorex Venturi

DN 450 flange/flange



Dimensions	Specifications
	<p><b>Max. temperature</b> 120°C  <b>Min. temperature</b> -20°C  <b>Max. pressure</b> 16 bar  <b>Marking on valve</b> (Venturi pipe) DN, max. temperature, flow direction            (Butterfly gearbox) Valve type, DN, Kvm</p> <p><b>Connection</b> Flange: EN 1092-1 PN16  <b>Valve pipe</b> Carbon steel  <b>Butterfly valve body</b> Cast iron, fully lugged (ASTM A126 KL.B)</p> <p><b>Disc</b> Stainless steel (ASTM A351)  <b>Shaft</b> Stainless steel (ASTM A276)  <b>Test points</b> DR Brass CW602N  <b>Sealings</b> EPDM and NBR</p>

Valve	Article	Dimension	Nom. Inch	Kvs m <sup>3</sup> /h	Kvm m <sup>3</sup> /h	Flow range	
						l/s	m <sup>3</sup> /h
	3943000-621009	DN 450	18"	*	4170	201-493	723-1780

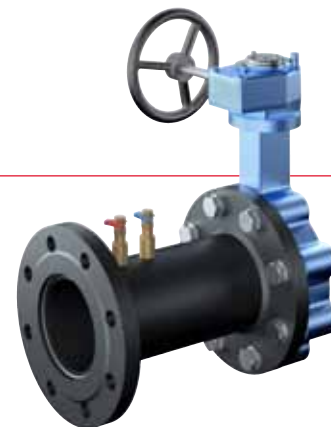
\* Product available upon request.

**Note!** The Kvs value refers to the pressure loss across the entire valve.  
 The Kvm value refers to the pressure loss across the measuring points and must be used only for flow verification during system commissioning.

Accessories	Article	Dimension	Description
	41550025-000003	R 1/4" / G 3/4"	Combi Drain Maxi with measuring point

# Ballorex® Venturi

## 3.1 Product data sheet



### Ballorex Venturi

DN 500 flange/flange

Dimensions	Specifications
	<p><b>Max. temperature</b> 120°C  <b>Min. temperature</b> -20°C  <b>Max. pressure</b> 16 bar  <b>Marking on valve</b> (Venturi pipe) DN, max. temperature, flow direction            (Butterfly gearbox) Valve type, DN, Kvm</p> <p><b>Connection</b> Flange: EN 1092-1 PN16  <b>Valve pipe</b> Carbon steel  <b>Butterfly valve body</b> Cast iron, fully lugged (ASTM A126 KL.B)</p> <p><b>Disc</b> Stainless steel (ASTM A351)  <b>Shaft</b> Stainless steel (ASTM A276)  <b>Test points</b> DR Brass CW602N  <b>Sealings</b> EPDM and NBR</p>

Valve	Article	Dimension	Nom. Inch	Kvs m <sup>3</sup> /h	Kvm m <sup>3</sup> /h	Flow range	
						l/s	m <sup>3</sup> /h
	3943600-621009	DN 500	20"	*	5040	242-602	873-2170

\* Product available upon request.

**Note!** The Kvs value refers to the pressure loss across the entire valve.

The Kvm value refers to the pressure loss across the measuring points and must be used only for flow verification during system commissioning.

Accessories	Article	Dimension	Description
	41550025-000003	R 1/4" / G 3/4"	Combi Drain Maxi with measuring point

# Ballorex® Venturi

## 3.1 Product data sheet

### Ballorex Venturi

DN 600 flange/flange



Dimensions	Specifications
	<p><b>Max. temperature</b> 120°C  <b>Min. temperature</b> -20°C  <b>Max. pressure</b> 16 bar  <b>Marking on valve</b> (Venturi pipe) DN, max. temperature, flow direction            (Butterfly gearbox) Valve type, DN, Kvm</p> <p><b>Connection</b> Flange: EN 1092-1 PN16  <b>Valve pipe</b> Carbon steel  <b>Butterfly valve body</b> Cast iron, fully lugged (ASTM A126 KL.B)</p> <p><b>Disc</b> Stainless steel (ASTM A351)  <b>Shaft</b> Stainless steel (ASTM A276)  <b>Test points</b> DR Brass CW602N  <b>Sealings</b> EPDM and NBR</p>

Valve	Article	Dimension	Nom. Inch	Kvs m <sup>3</sup> /h	Kvm m <sup>3</sup> /h	Flow range	
						l/s	m <sup>3</sup> /h
	3944200-621009	DN 600	24"	*	6920	333-846	1200-3040

\* Product available upon request.

**Note!** The Kvs value refers to the pressure loss across the entire valve.  
 The Kvm value refers to the pressure loss across the measuring points and must be used only for flow verification during system commissioning.

Accessories	Article	Dimension	Description
	41550025-000003	R 1/4" / G 3/4"	Combi Drain Maxi with measuring point